

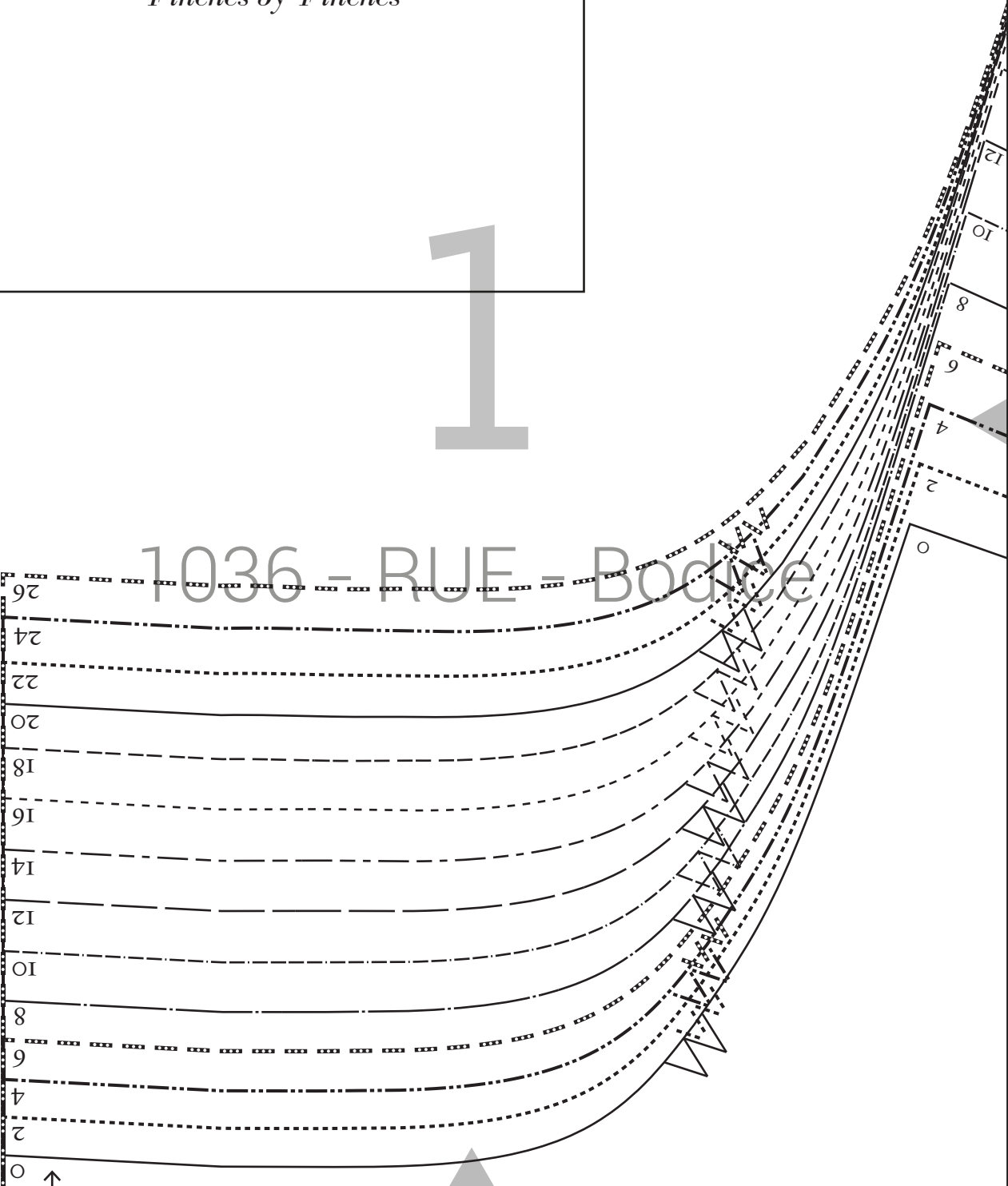
Test Square  
*4 inches by 4 inches*

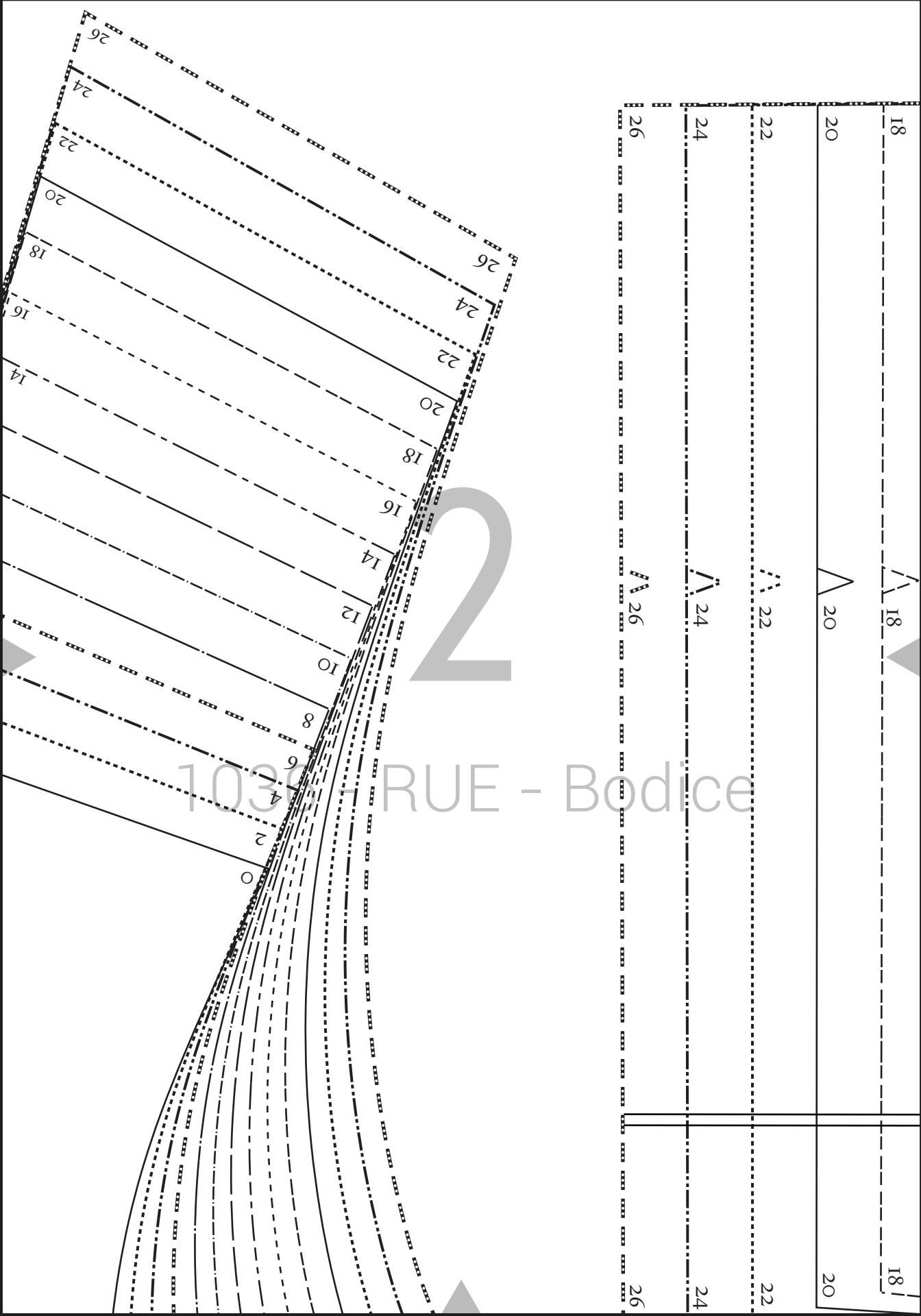
1

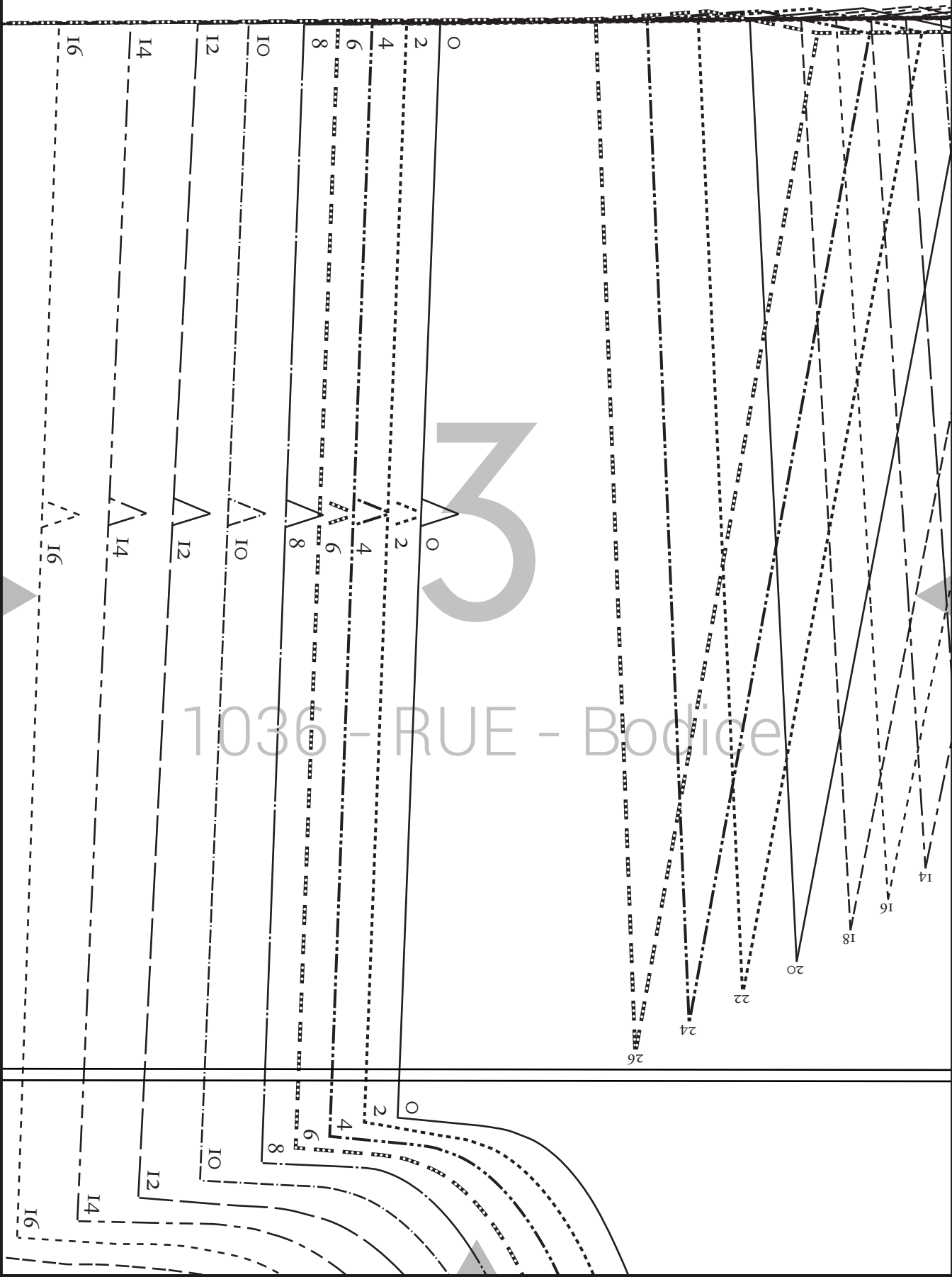
1036 - RUE - Bodice

26  
24  
22  
20  
18  
16  
14  
12  
10  
8  
6  
4  
2  
0 ↑

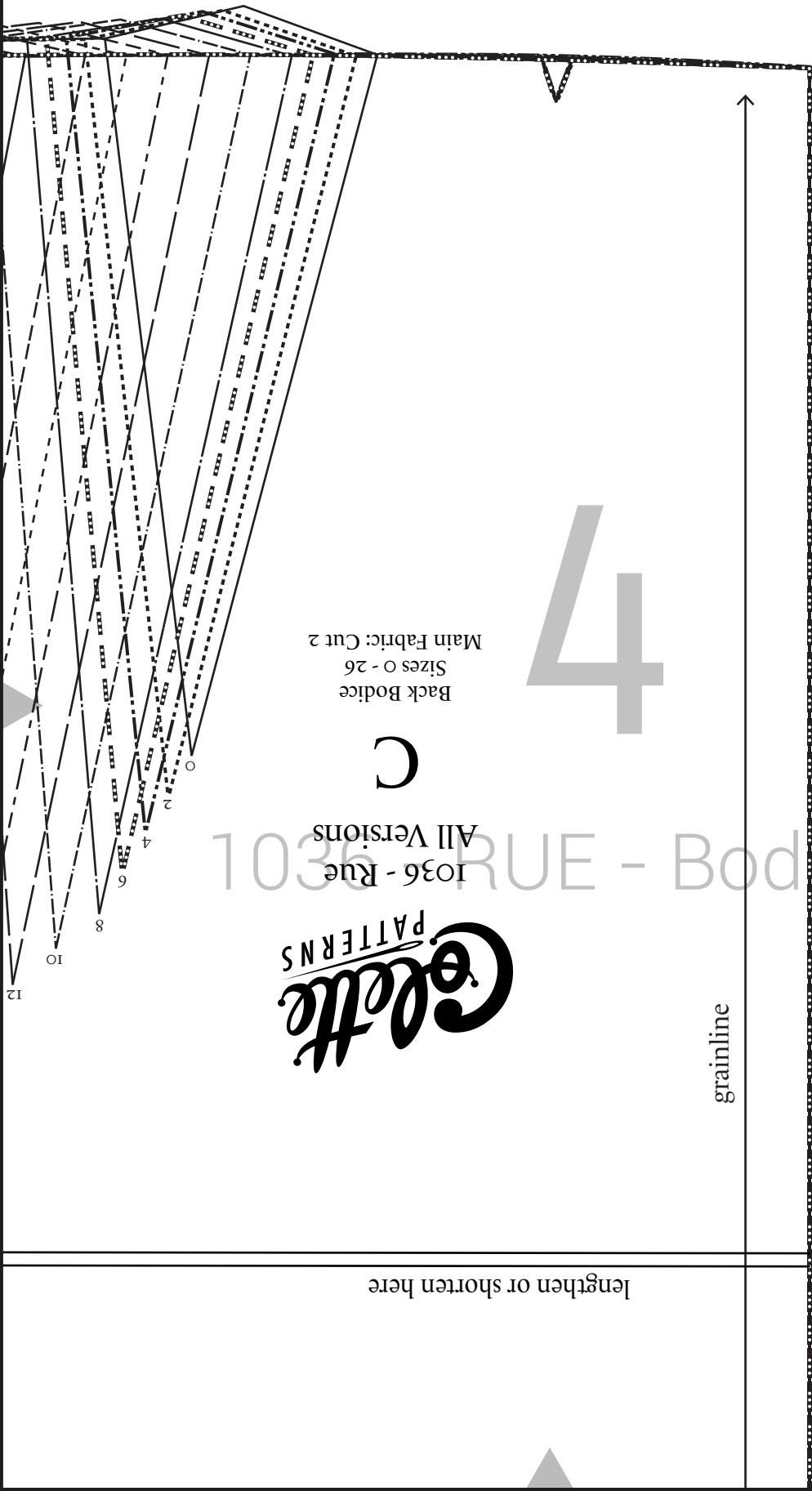
12  
10  
8  
6  
4  
2  
0







1036 - RUE - Bodice



Back Bodice  
Sizes 0 - 26  
Main Fabric: Cut 2

C

1036 - Rue  
All Versions

**Colette**  
PATTERNS

1036 RUE - Bodice

grainline

lengthen or shorten here

4

12

10

8

6

4

2

0

grainline →

**Colette**  
PATTERNS

1036 - Rue  
All Versions

**A**

Side Front Bodice

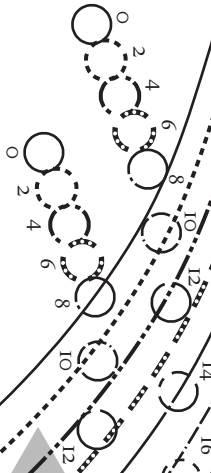
Sizes 0 - 26

Main Fabric: Cut 2

Lining Fabric: Cut 2

lengthen or shorten here

1036 - RUE - BODICE



0 2 4 6 8 10 12 14 16 18 20 22 24 26

lengthen or shorten here

grainline

**Colette**  
PATTERNS

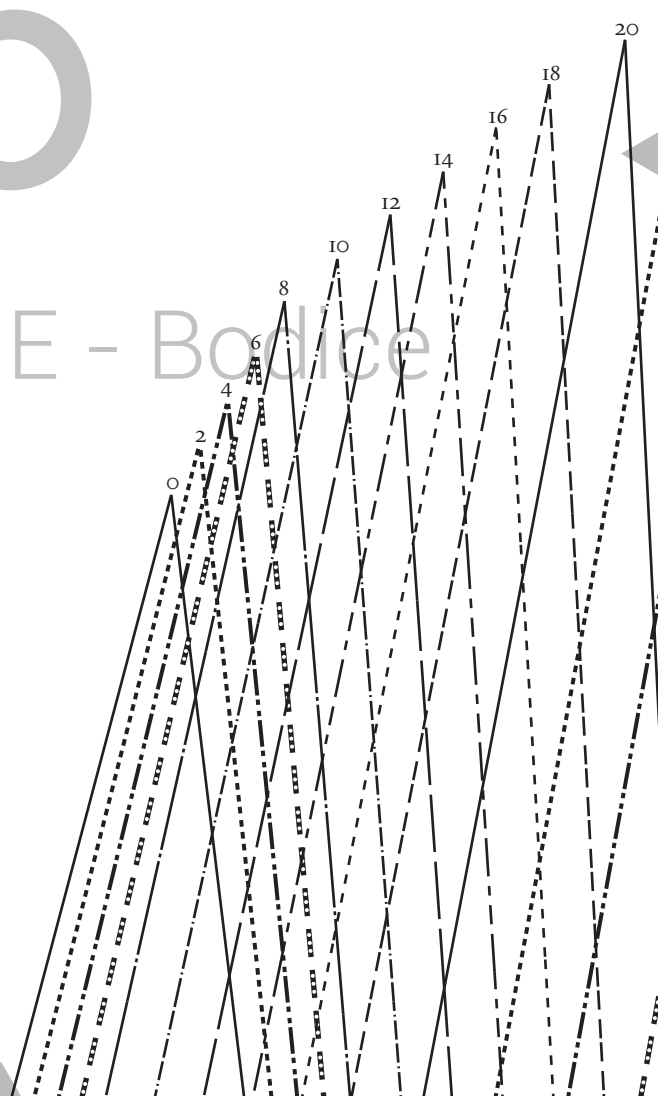
1036 - Rue  
All Versions

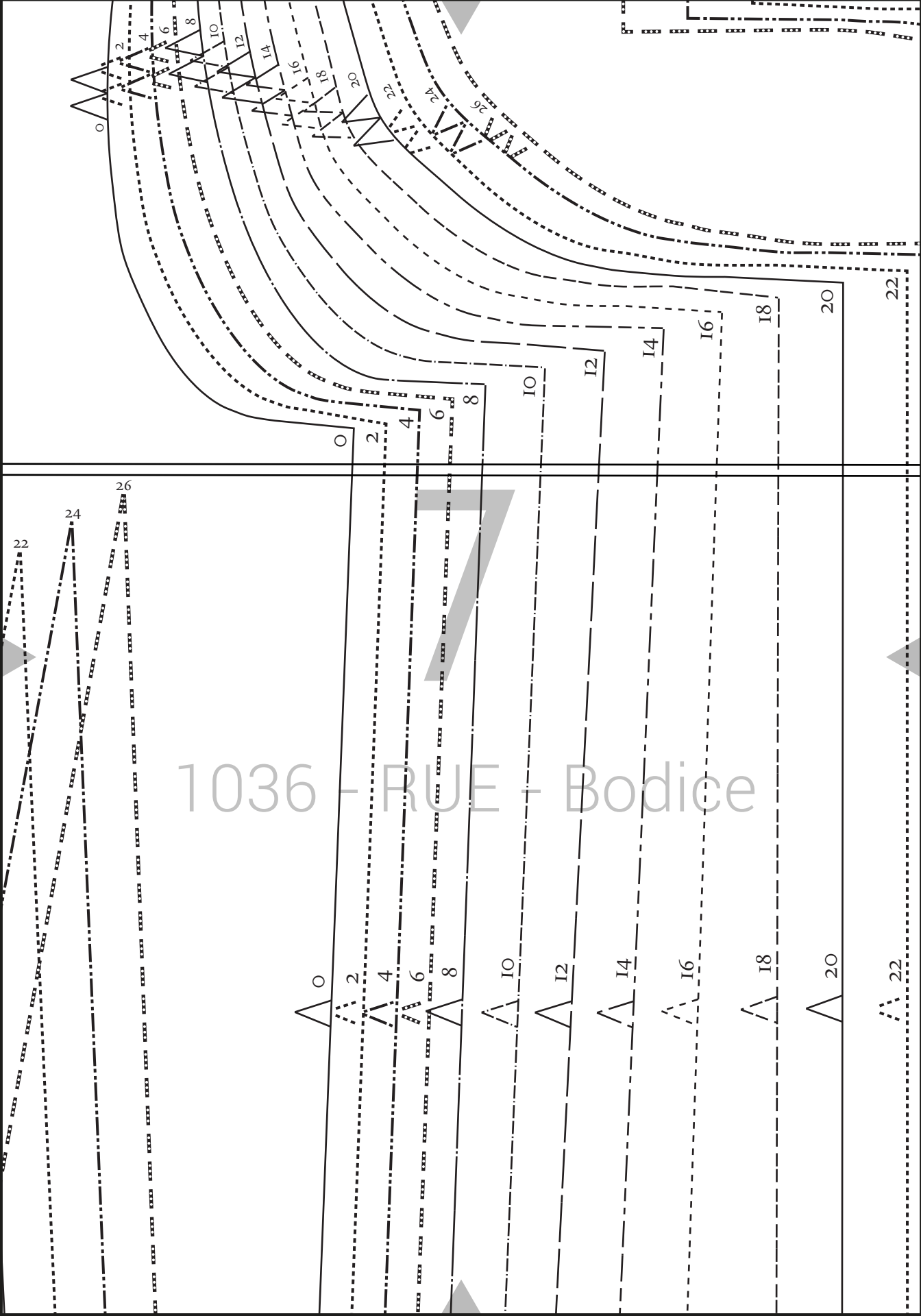
I

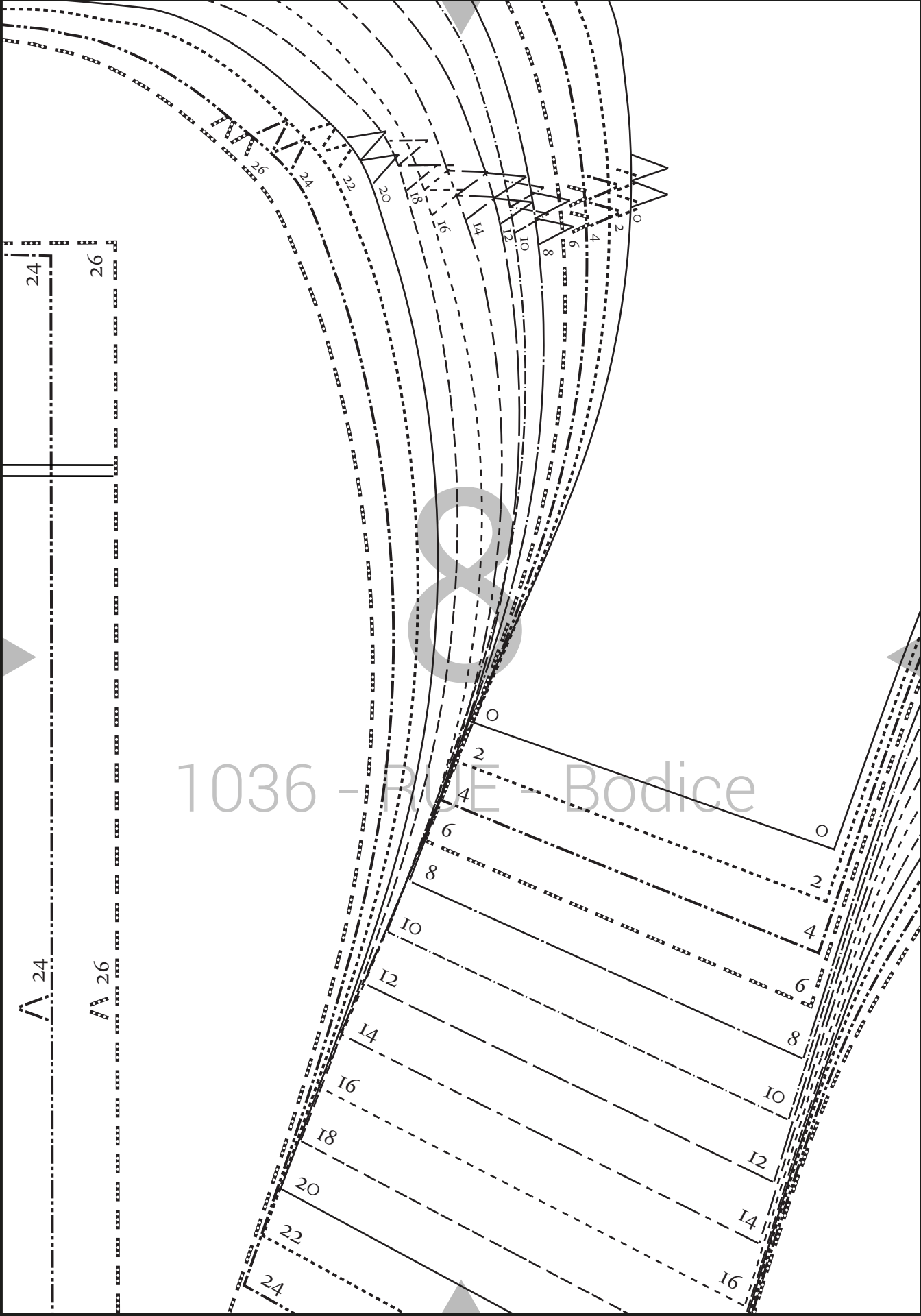
Back Bodice Lining  
Sizes 0 - 26  
Lining Fabric: Cut 2

6

1036 - RUE - Bodice

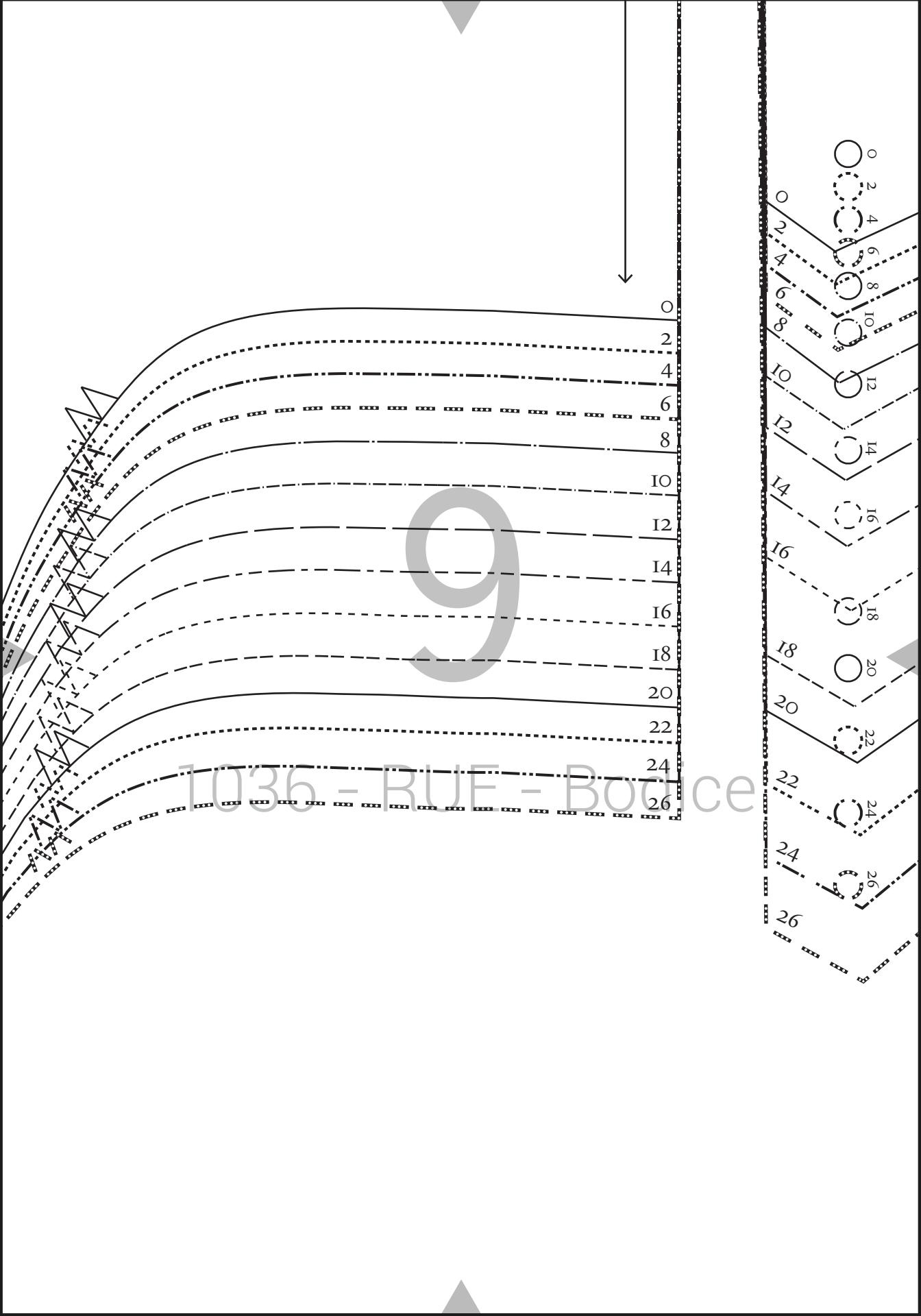






1036 - PUE - Bodice



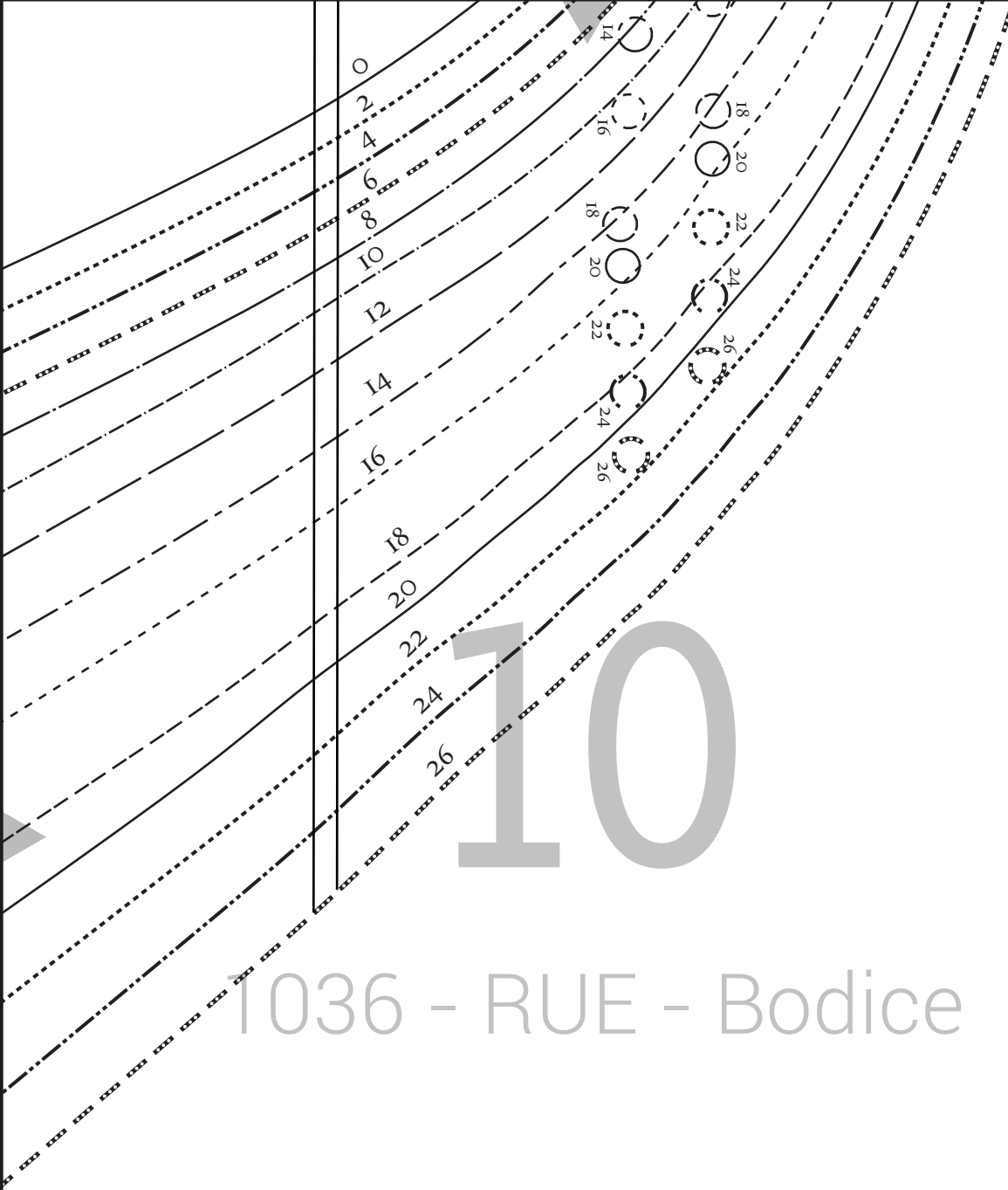


9

1036 - RUE - Bodice

0  
2  
4  
6  
8  
10  
12  
14  
16  
18  
20  
22  
24  
26

0  
2  
4  
6  
8  
10  
12  
14  
16  
18  
20  
22  
24  
26



1036 - RUE - Bodice

# 11

## 1036 - RUE - Bodice

*Colette*  
PATTERNS

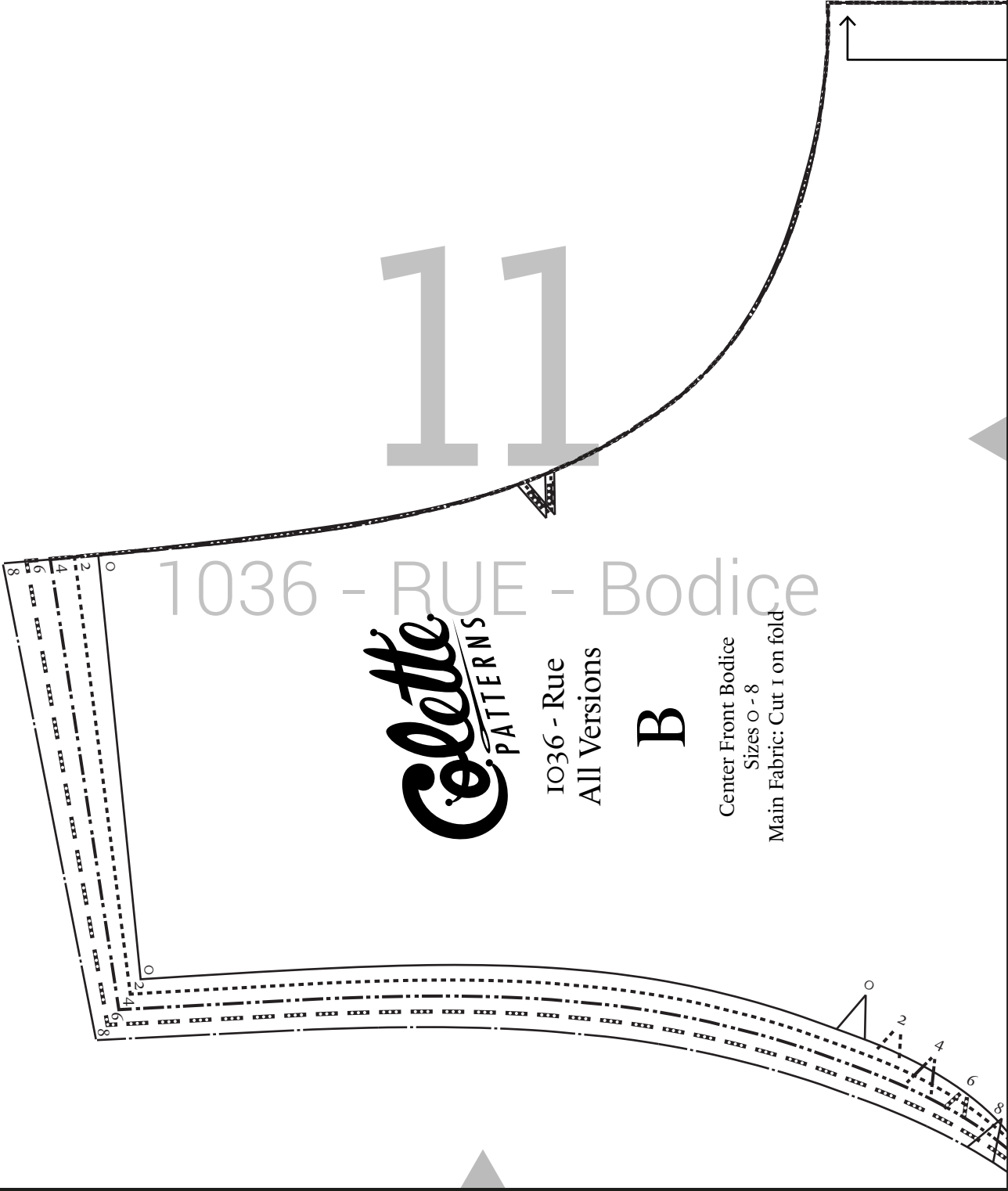
1036 - Rue  
All Versions

**B**

Center Front Bodice

Sizes 0 - 8

Main Fabric: Cut 1 on fold

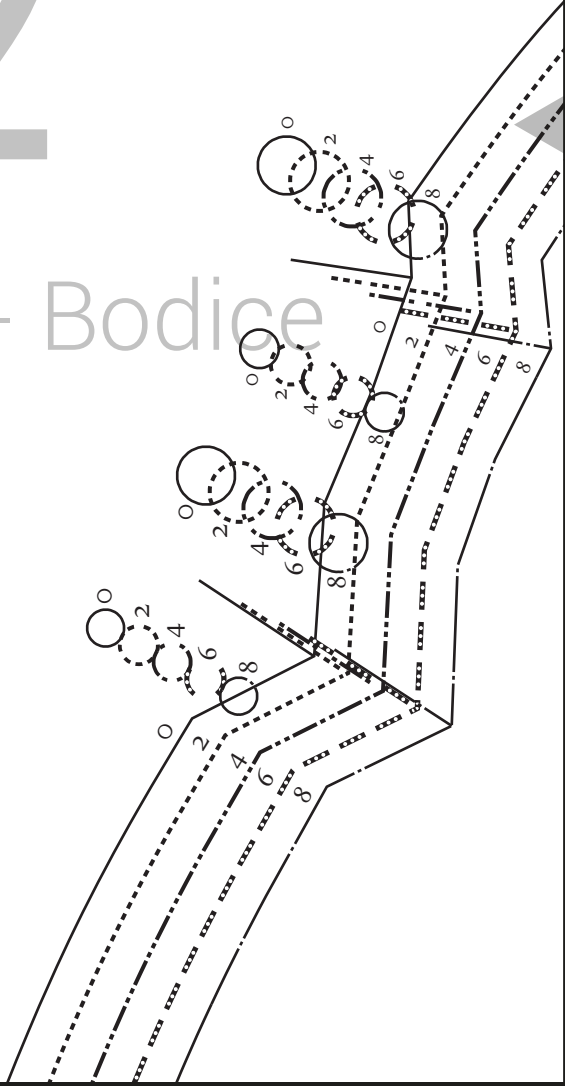


# 1036 - RUE - Bodice

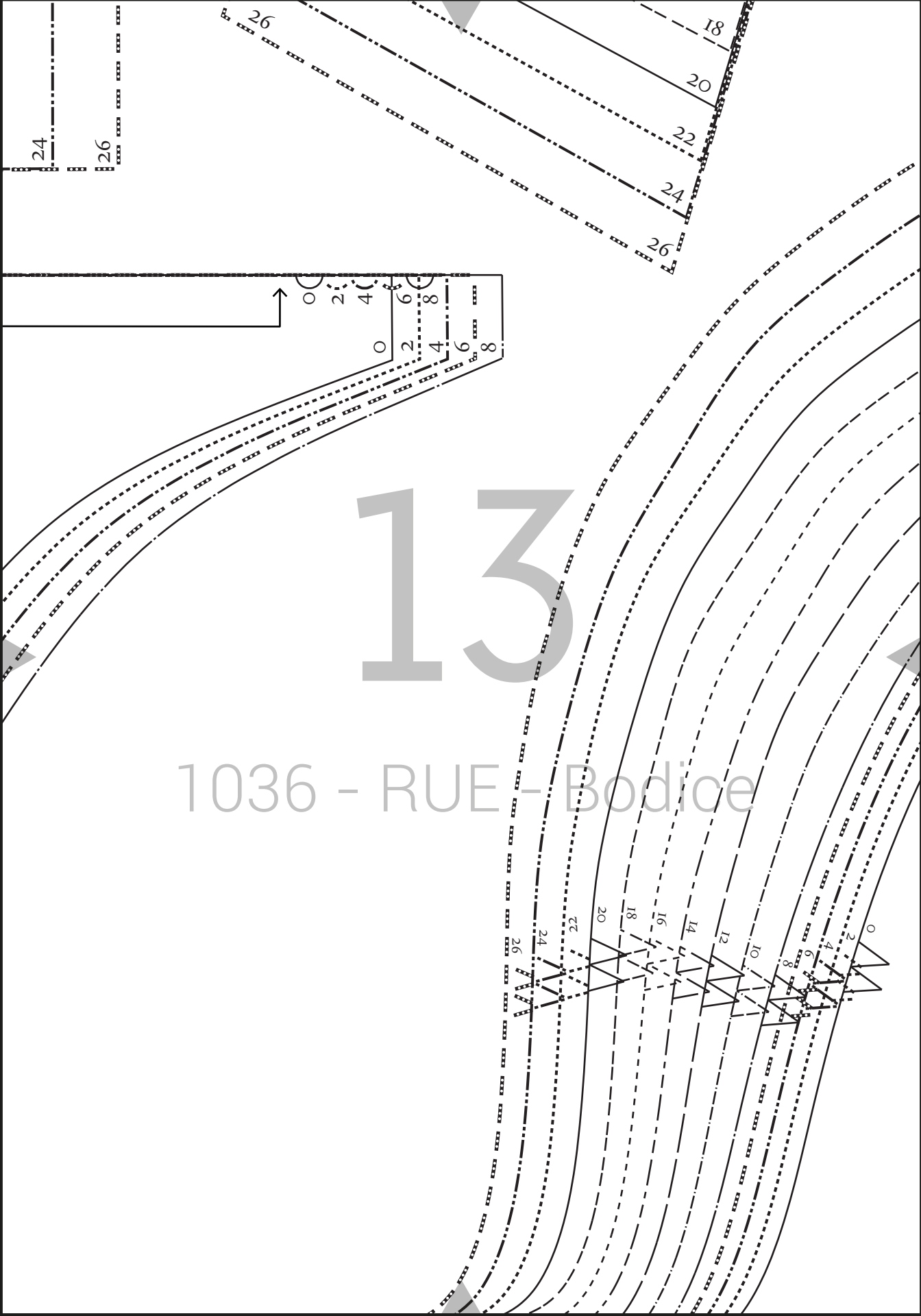
# 12

lengthen or shorten here

place on fold of fabric

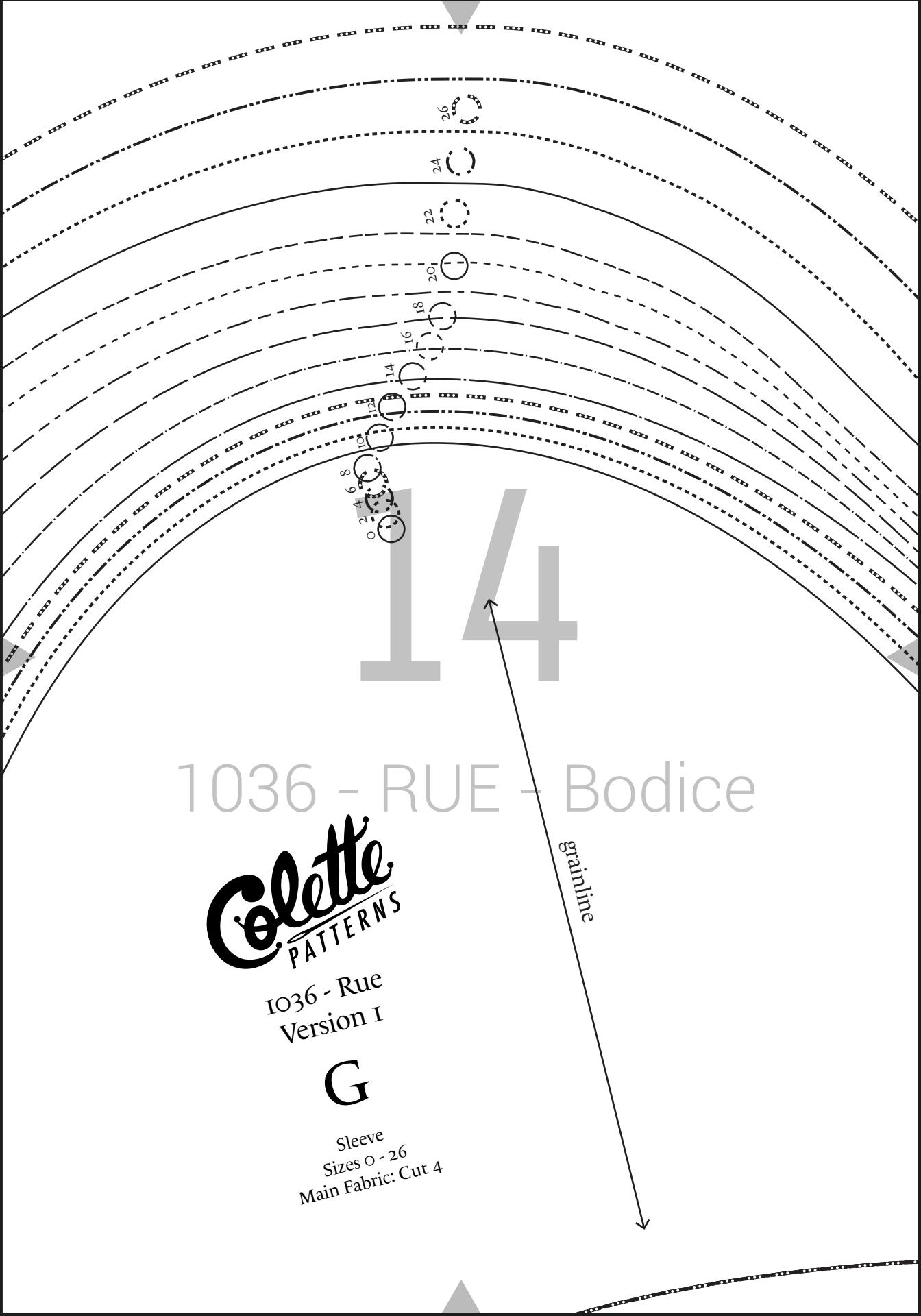


0 2 4 6 8 10 12 14 16 18 20 22



13

1036 - RUE - Bodice



# 1036 - RUE - Bodice

**Colette**  
PATTERNS

1036 - Rue  
Version I

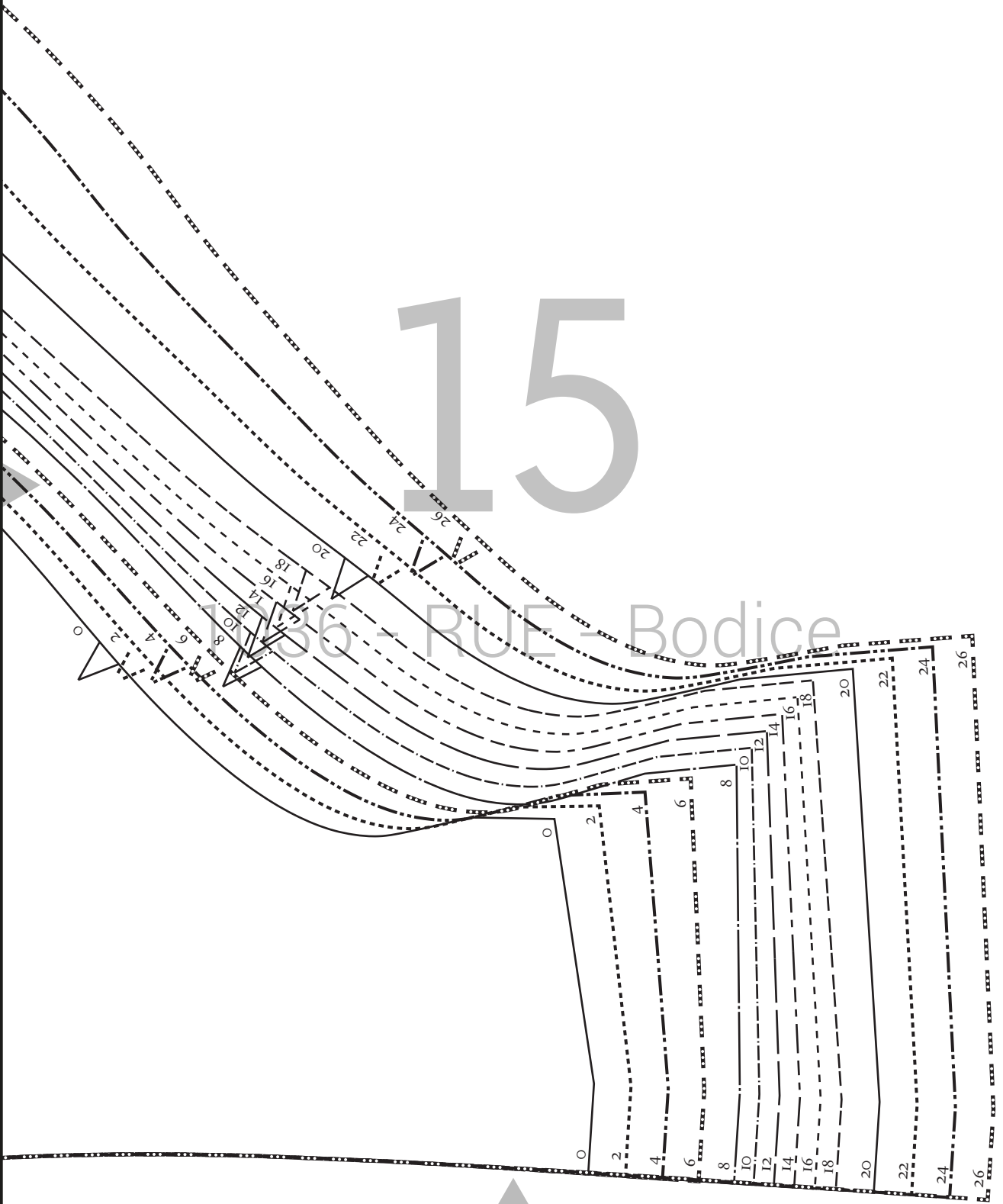
**G**

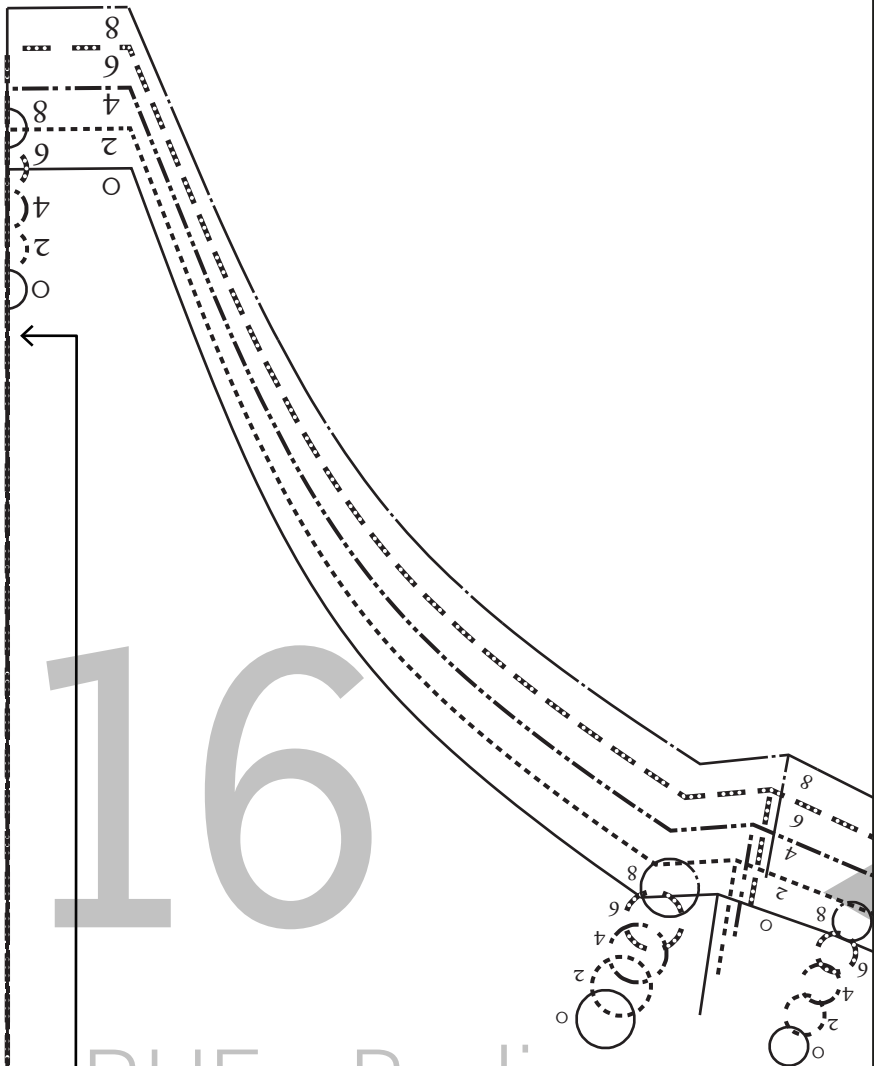
Sleeve  
Sizes 0 - 26  
Main Fabric: Cut 4

grainline

# 15

## 1536 - RUE - Bodice





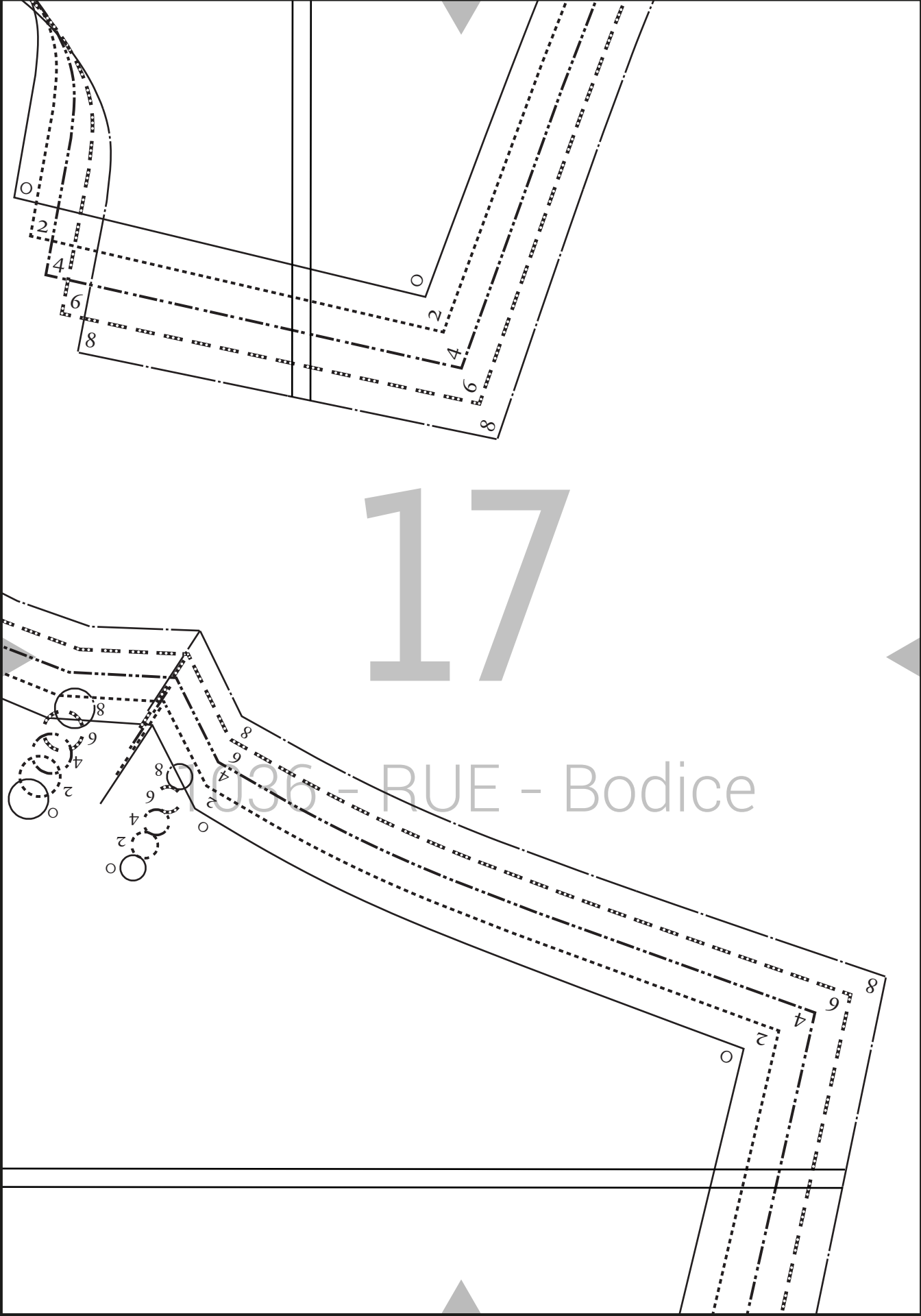
16

1036 - RUE - Bodice

place on fold of fabric

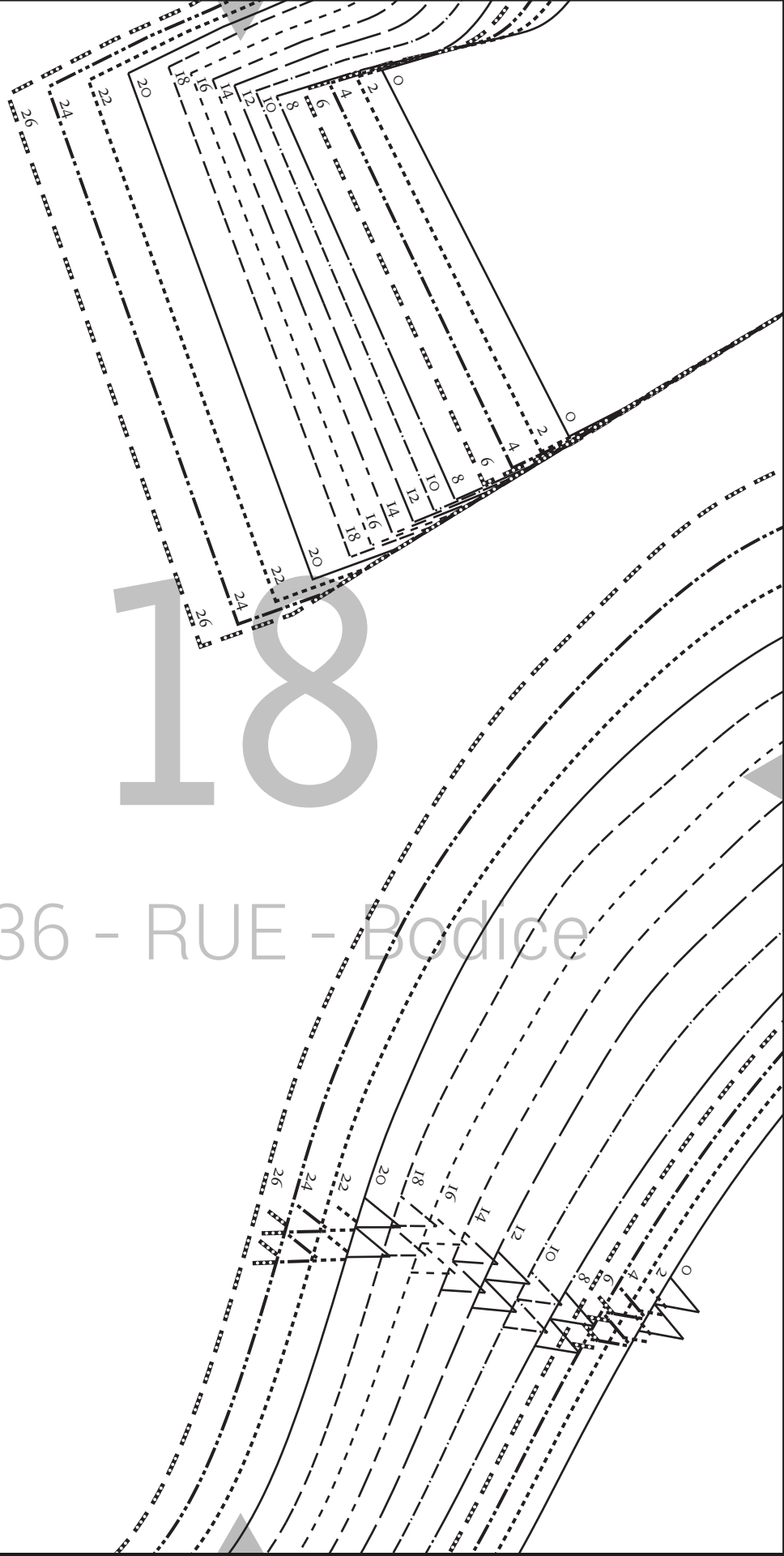
lengthen or shorten here





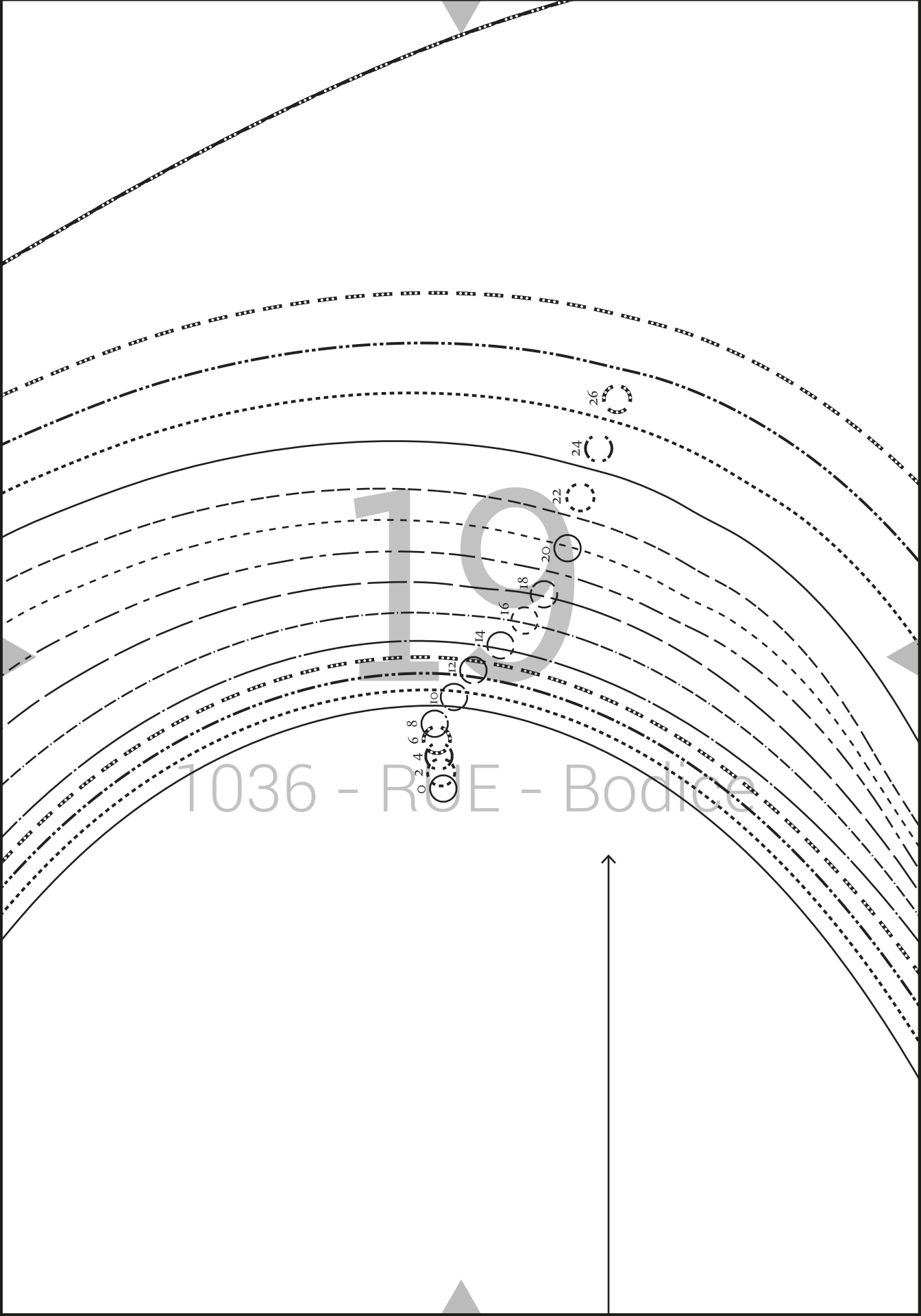
17

036 - RUE - Bodice



18

1036 - RUE - Bodice



1036 - ROE - Bodice

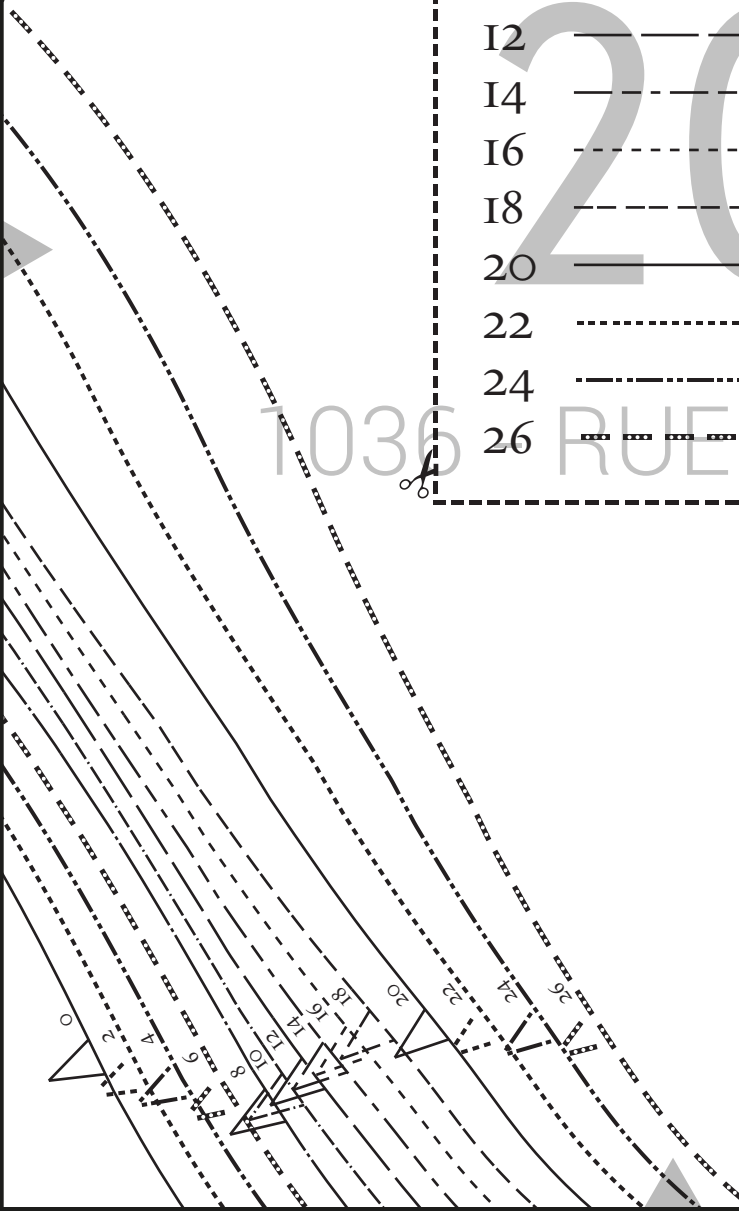
0  
2  
4  
6  
8  
10  
12  
14  
16  
18  
20  
22  
24  
26



# Key

- 0 \_\_\_\_\_
- 2 .....  
-----
- 4 - - - - -  
-----
- 6 .....  
-----
- 8 \_\_\_\_\_
- 10 - - - - -  
-----
- 12 \_\_\_\_\_
- 14 - - - - -  
-----
- 16 .....  
-----
- 18 \_\_\_\_\_
- 20 \_\_\_\_\_
- 22 .....  
-----
- 24 - - - - -  
-----
- 26 .....  
-----

1036 RUE - Bodice



Center Front Bodice Lining  
Lining Fabric: Cut 1 on fold  
Sizes 0 - 8

H

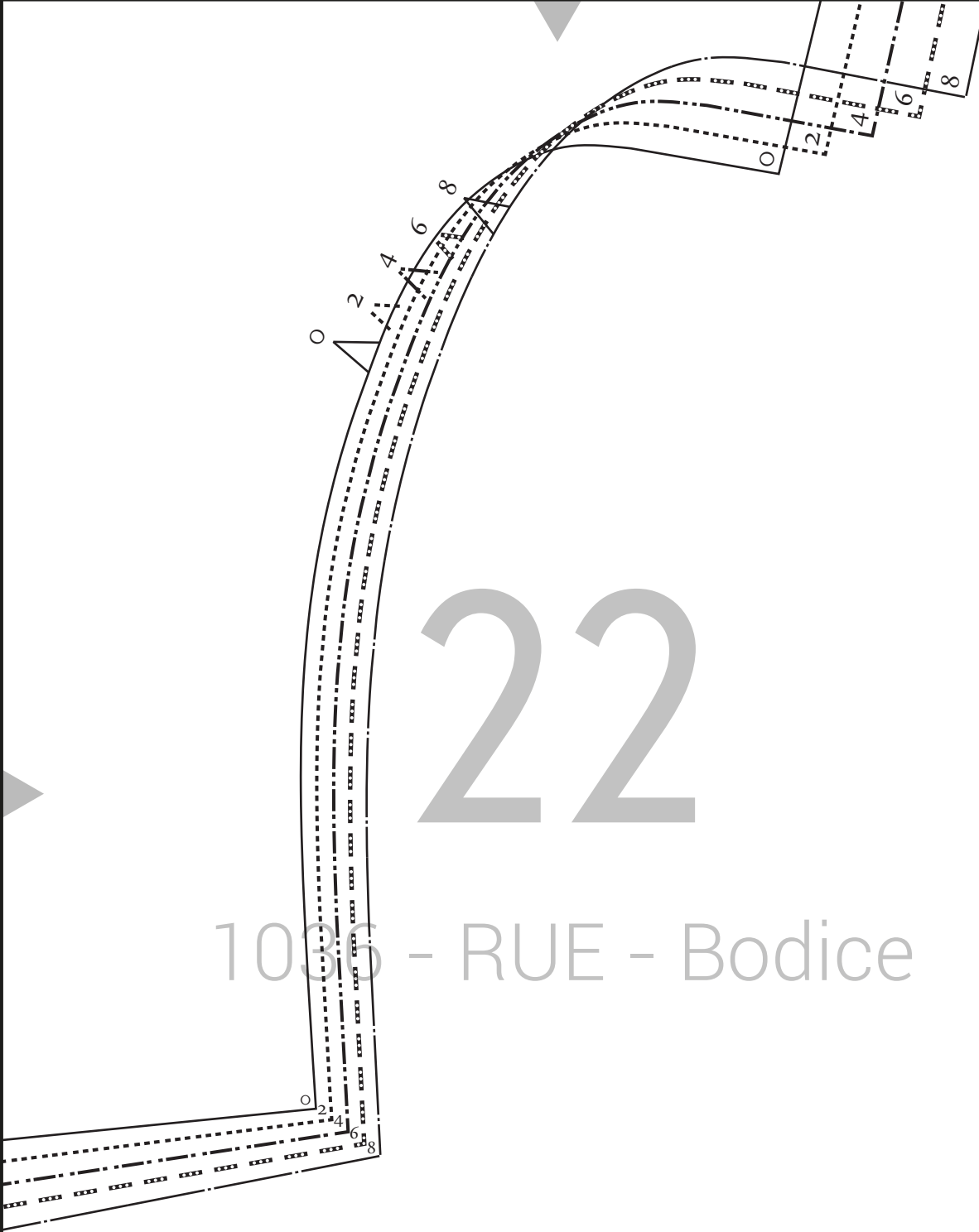
All Versions  
1036 - Rue

**Goette**  
PATTERNS

21

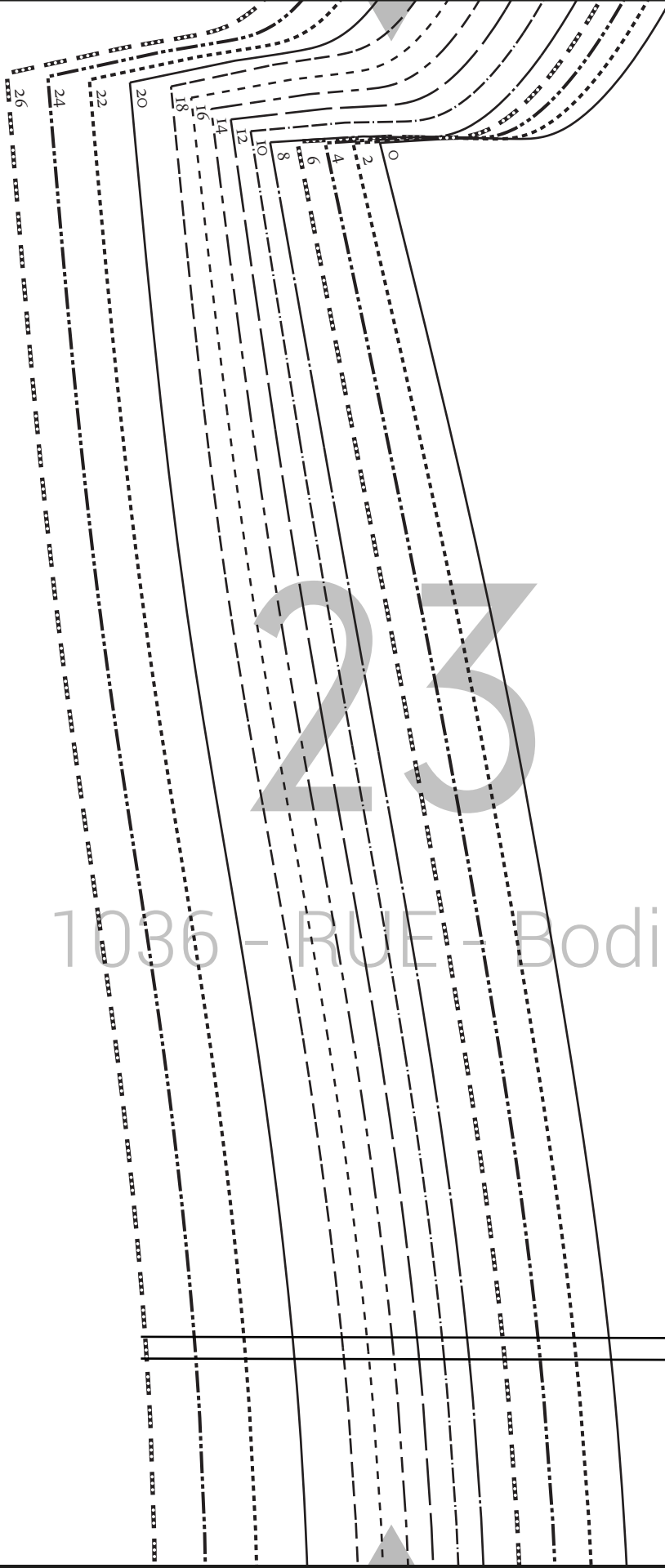
1036 - RUE - Bodice

0  
2  
4  
6  
8



22

1036 - RUE - Bodice



23

1036 - RUE - Bodice

**Colette**  
PATTERNS

1036 - Rue  
Version 2

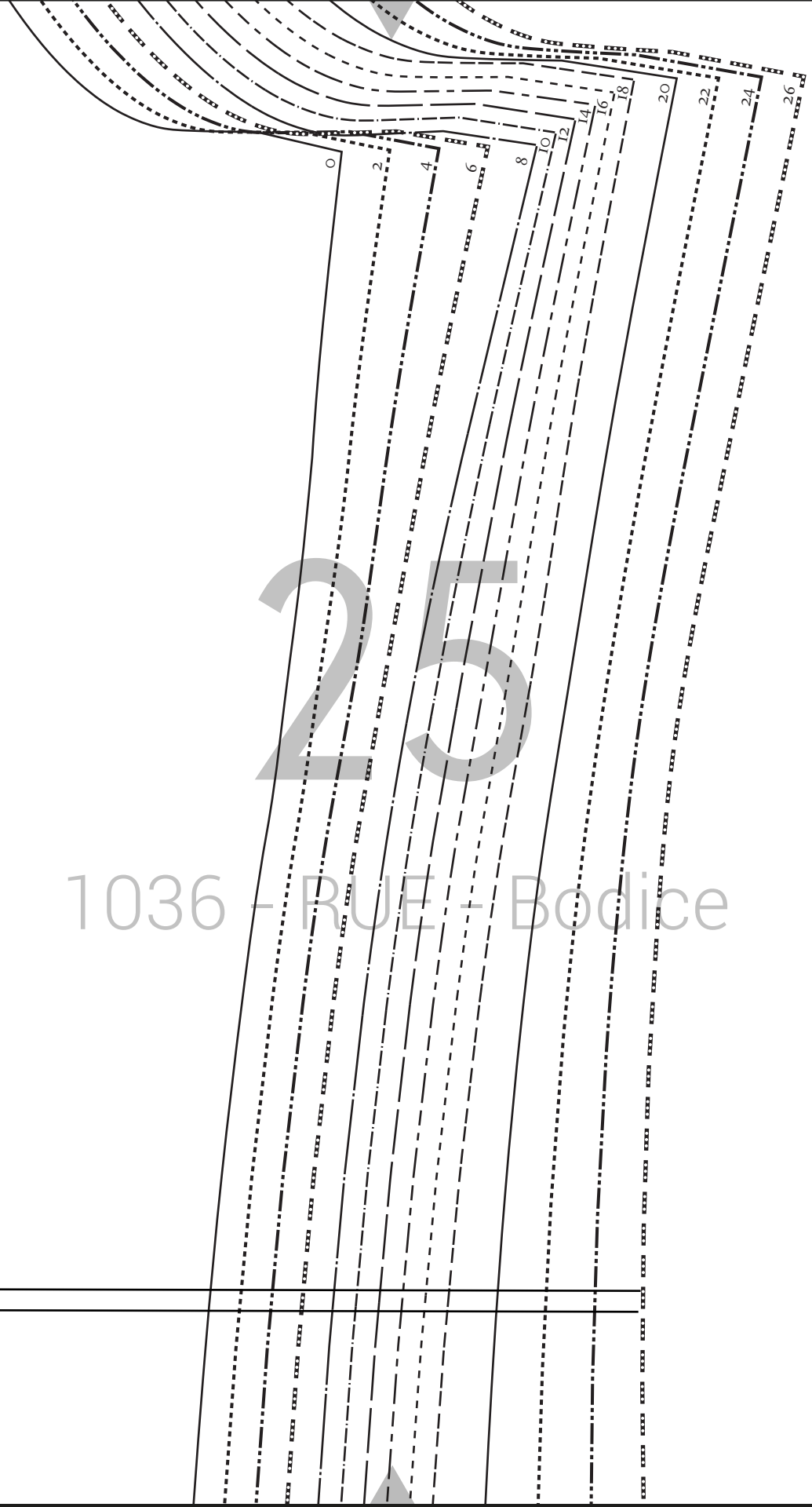
**L**

Sleeve  
Sizes 0 - 26  
Main Fabric: Cut 2

grainline

lengthen or shorten here





25

1036 - RUE - Bodice

0

2

4

6

8

10

12

14

16

18

20

22

24

26

0
2
4
6
8
10
12
14
16
18
20
22
24
26

# 26

1036 - RUE - Bodice



27

1036 - RUE - Bodice

0  
2  
4  
6  
8  
10  
12  
14  
16  
18  
20  
22  
24  
26

# 28

1036 - RUE - Bodice