

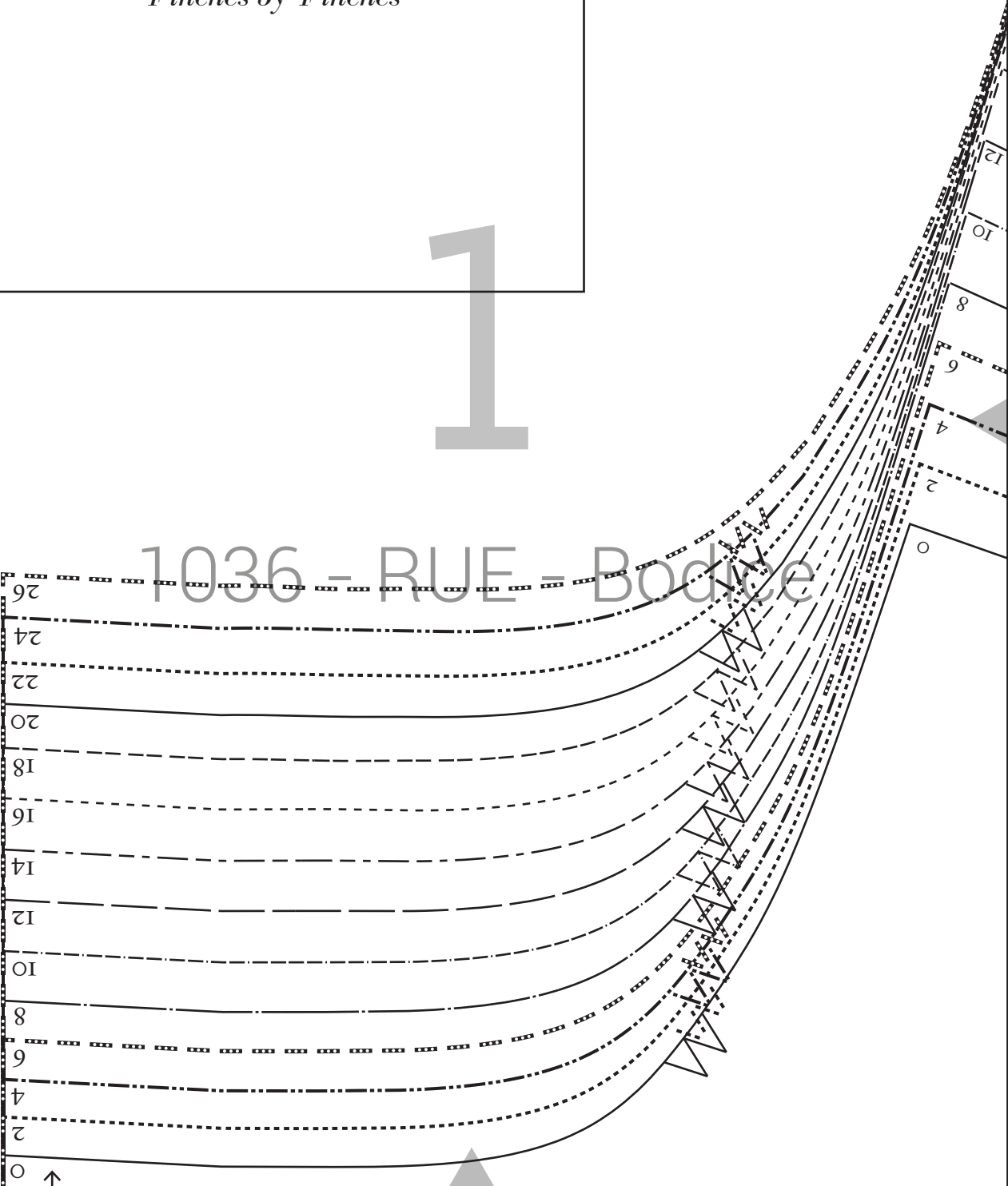
Test Square  
*4 inches by 4 inches*

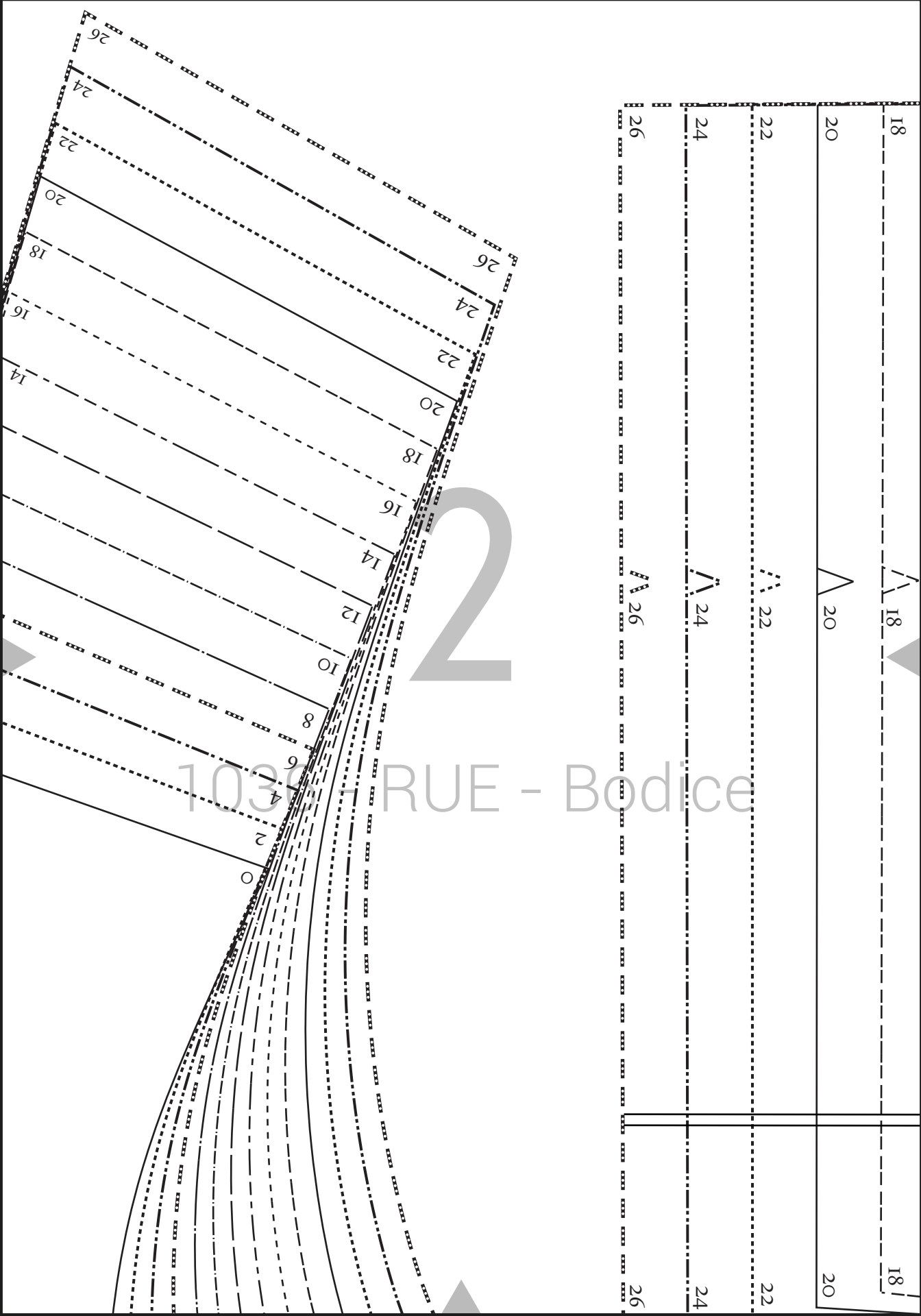
1

1036 - RUE - Bodice

26  
24  
22  
20  
18  
16  
14  
12  
10  
8  
6  
4  
2  
0 ↑

12  
10  
8  
6  
4  
2  
0





18

18

18

20

20

20

22

22

22

24

24

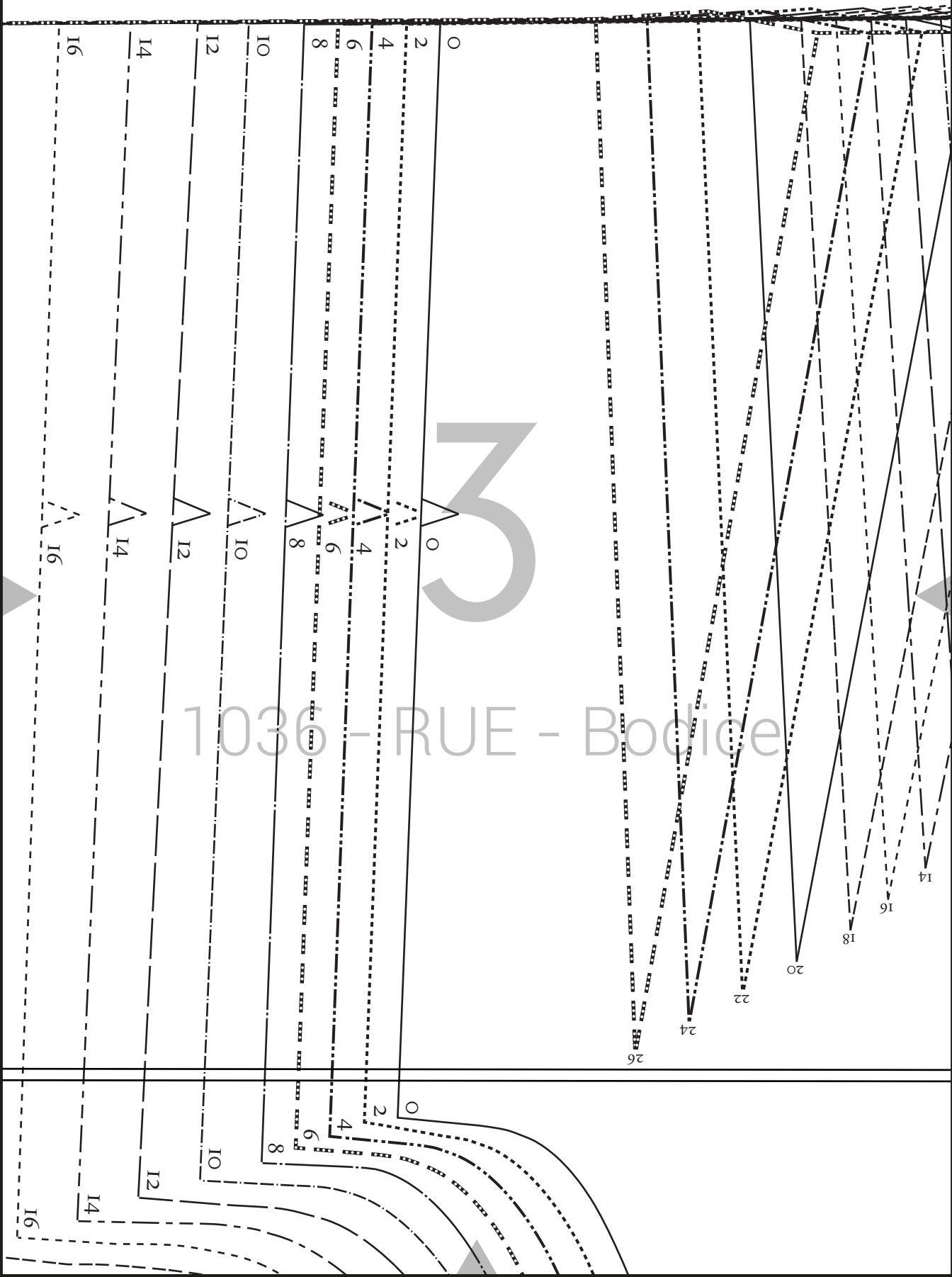
24

26

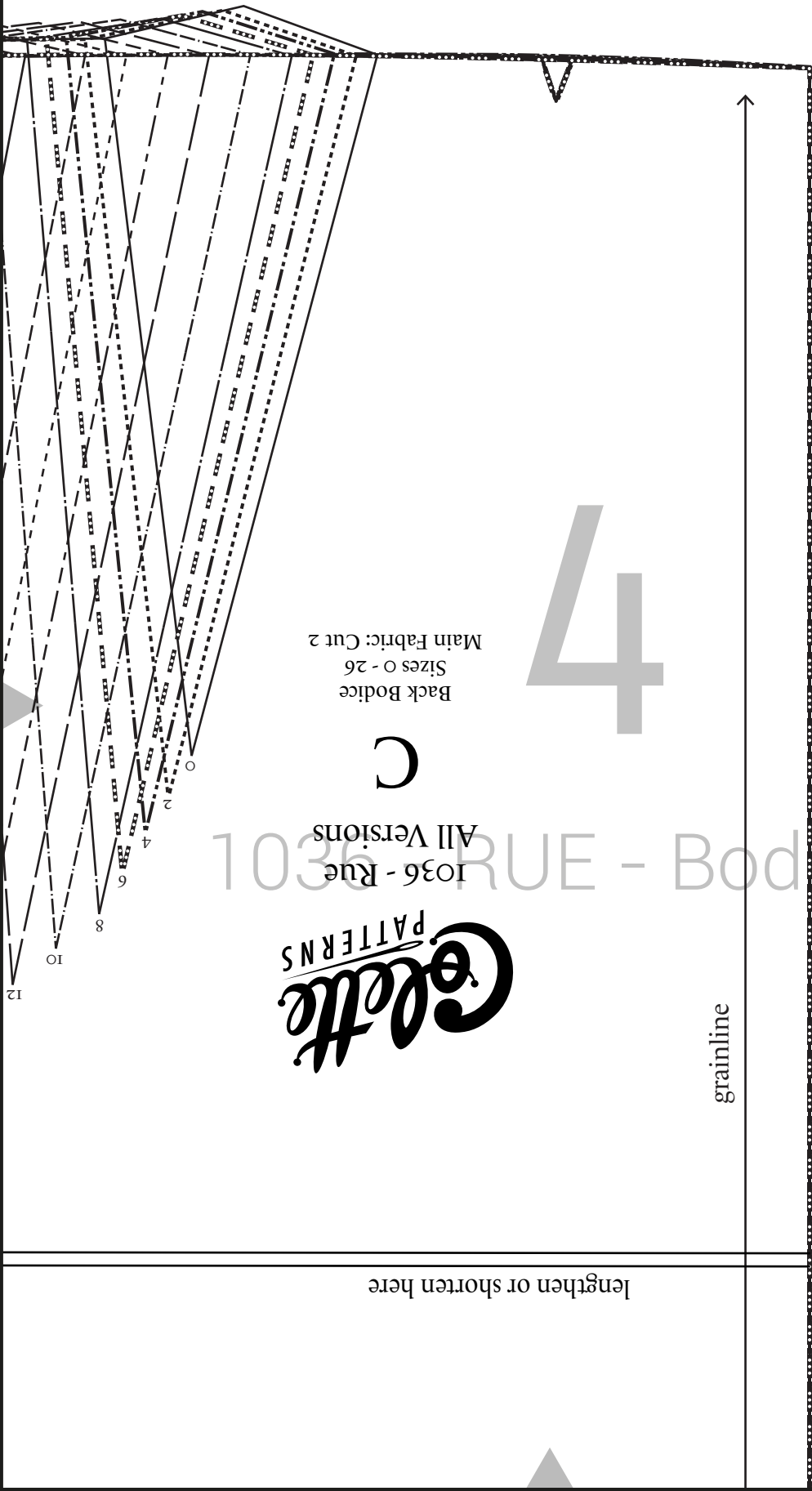
26

26

1030 RUE - Bodice



1036 - RUE - Bodice



Back Bodice  
Sizes 0 - 26  
Main Fabric: Cut 2

C

1036 - Rue  
All Versions

**Colette**  
PATTERNS

4

1036 - RUE - Bodice

grainline

lengthen or shorten here

grainline →

**Colette**  
PATTERNS

1036 - Rue  
All Versions

**A**

Side Front Bodice

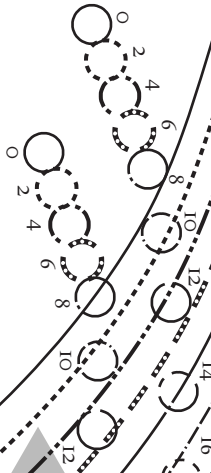
Sizes 0 - 26

Main Fabric: Cut 2

Lining Fabric: Cut 2

lengthen or shorten here

1036 - RUE - BODICE



0 2 4 6 8 10 12 14 16 18 20 22 24 26

lengthen or shorten here

grainline

**Colette**  
PATTERNS

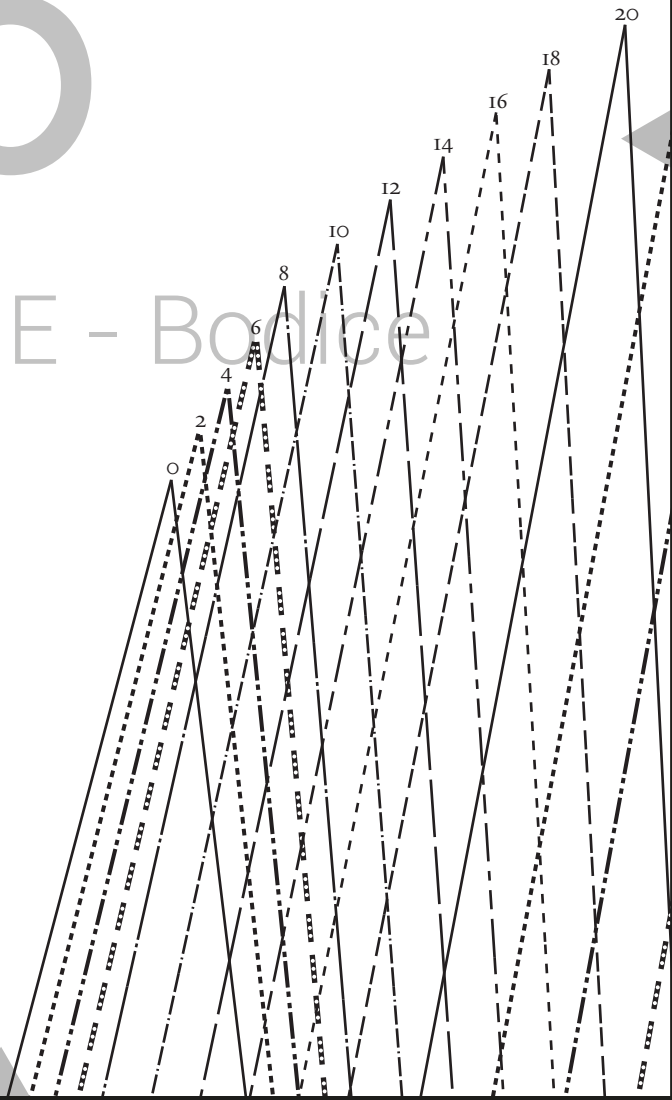
1036 - Rue - Bodice  
All Versions

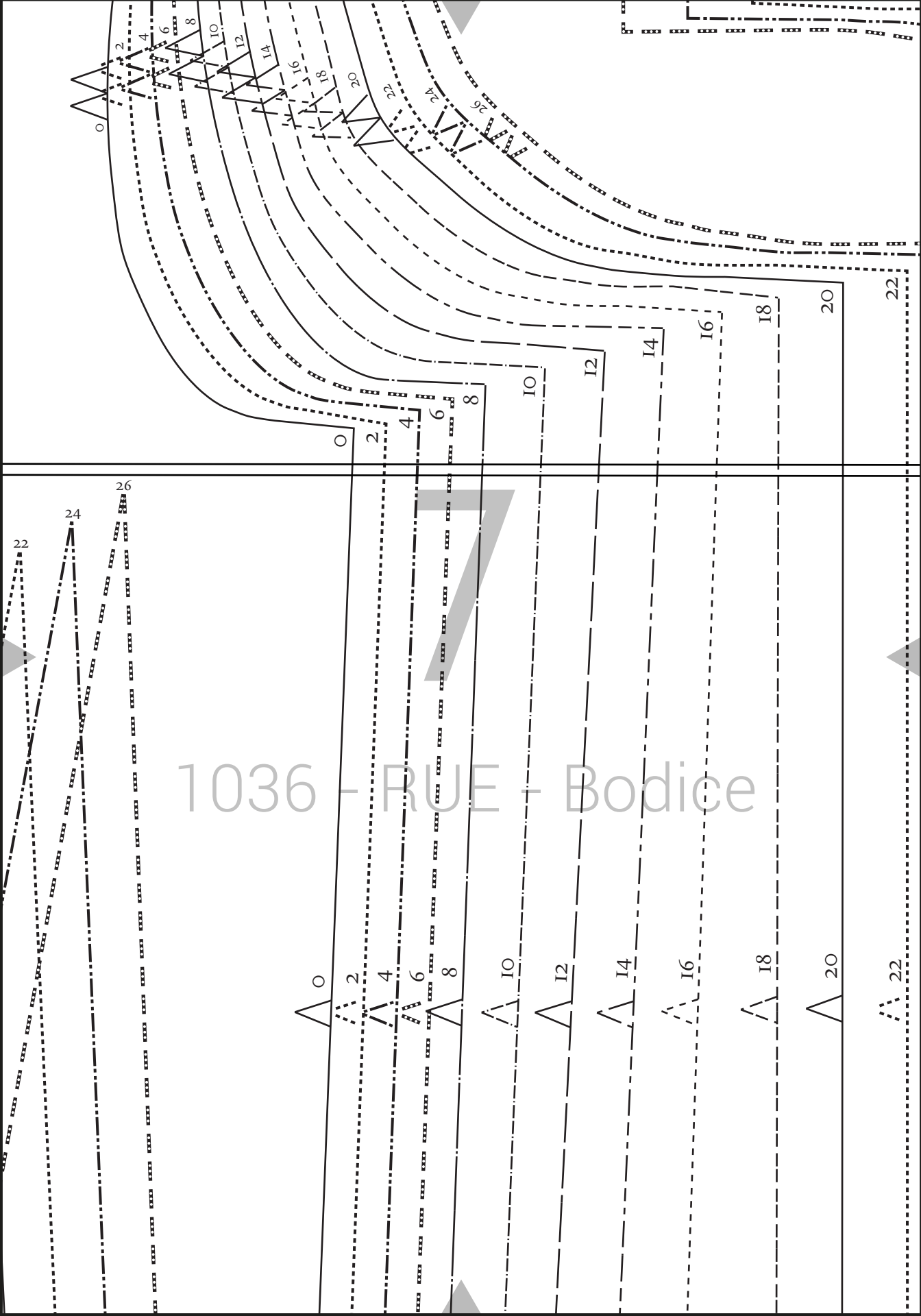
I

Back Bodice Lining  
Sizes 0 - 26  
Lining Fabric: Cut 2

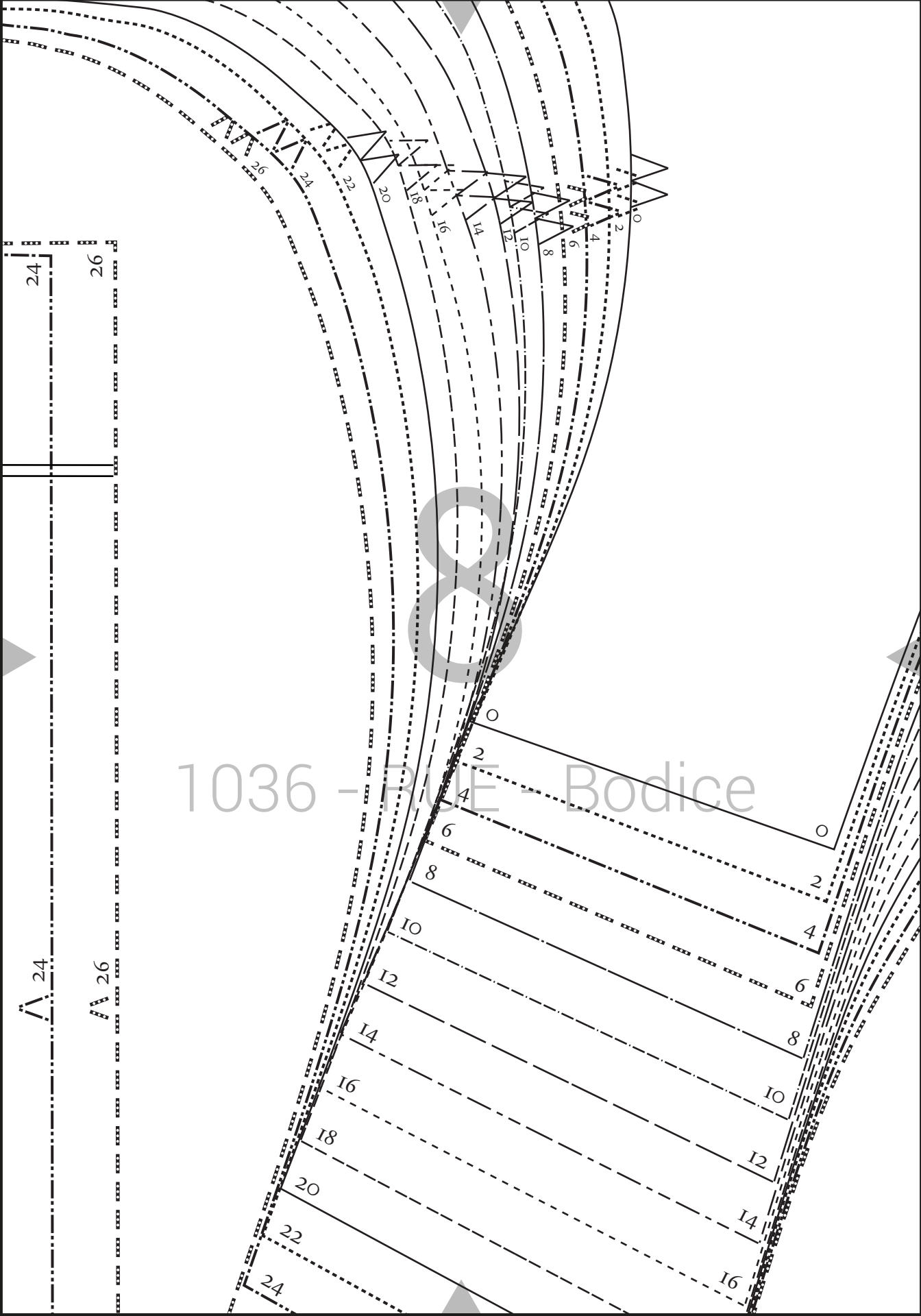
6

1036 - RUE - Bodice

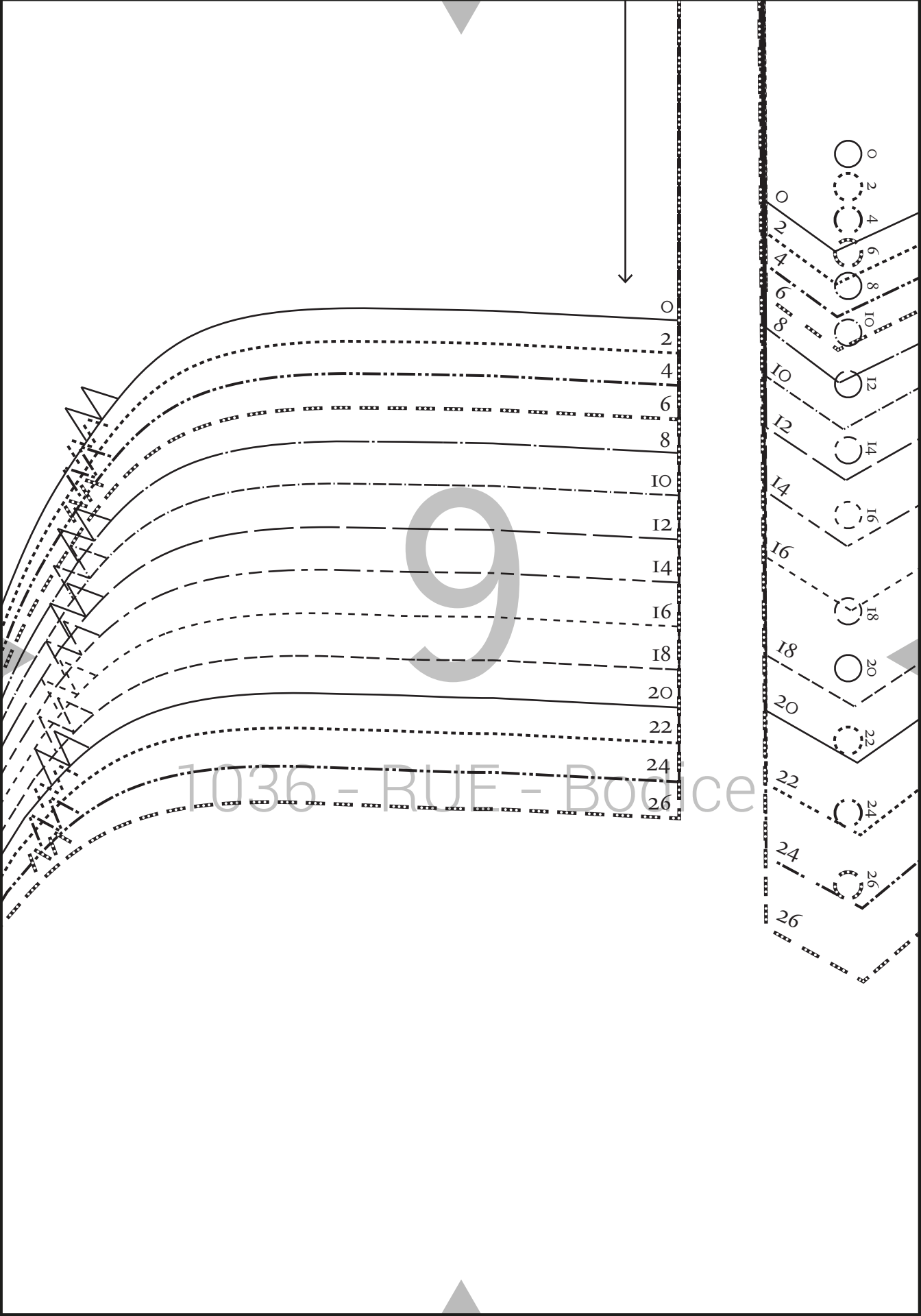




1036 - RUE - Bodice





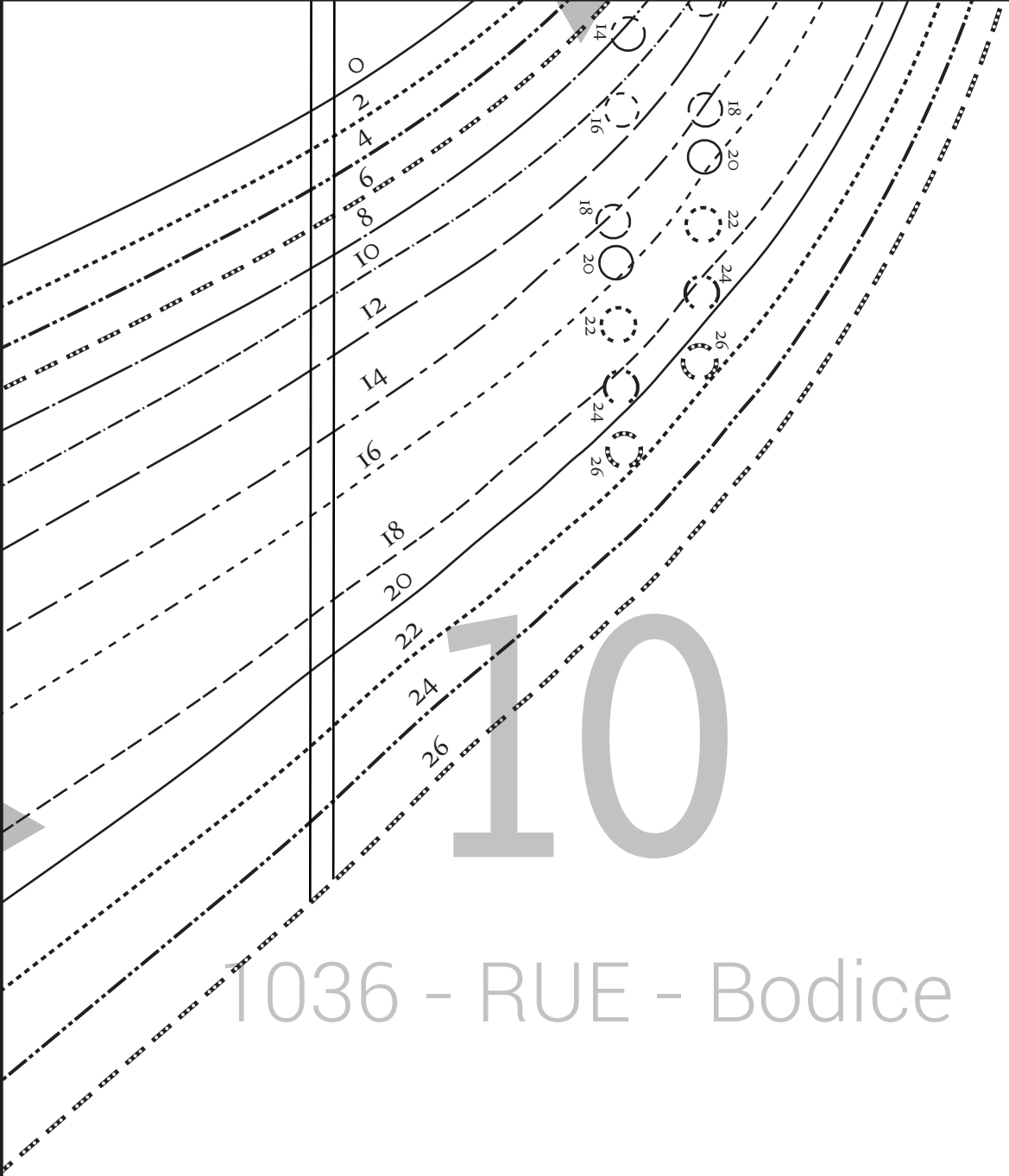


9

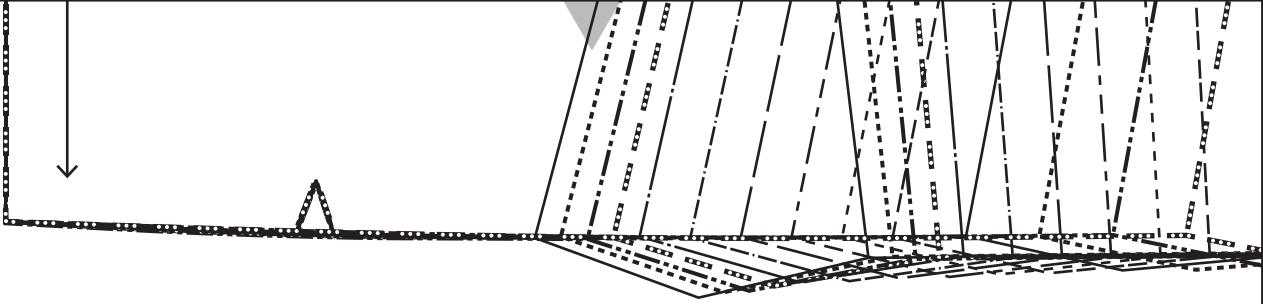
1036 - RUE - Bodice

0  
2  
4  
6  
8  
10  
12  
14  
16  
18  
20  
22  
24  
26

0  
2  
4  
6  
8  
10  
12  
14  
16  
18  
20  
22  
24  
26

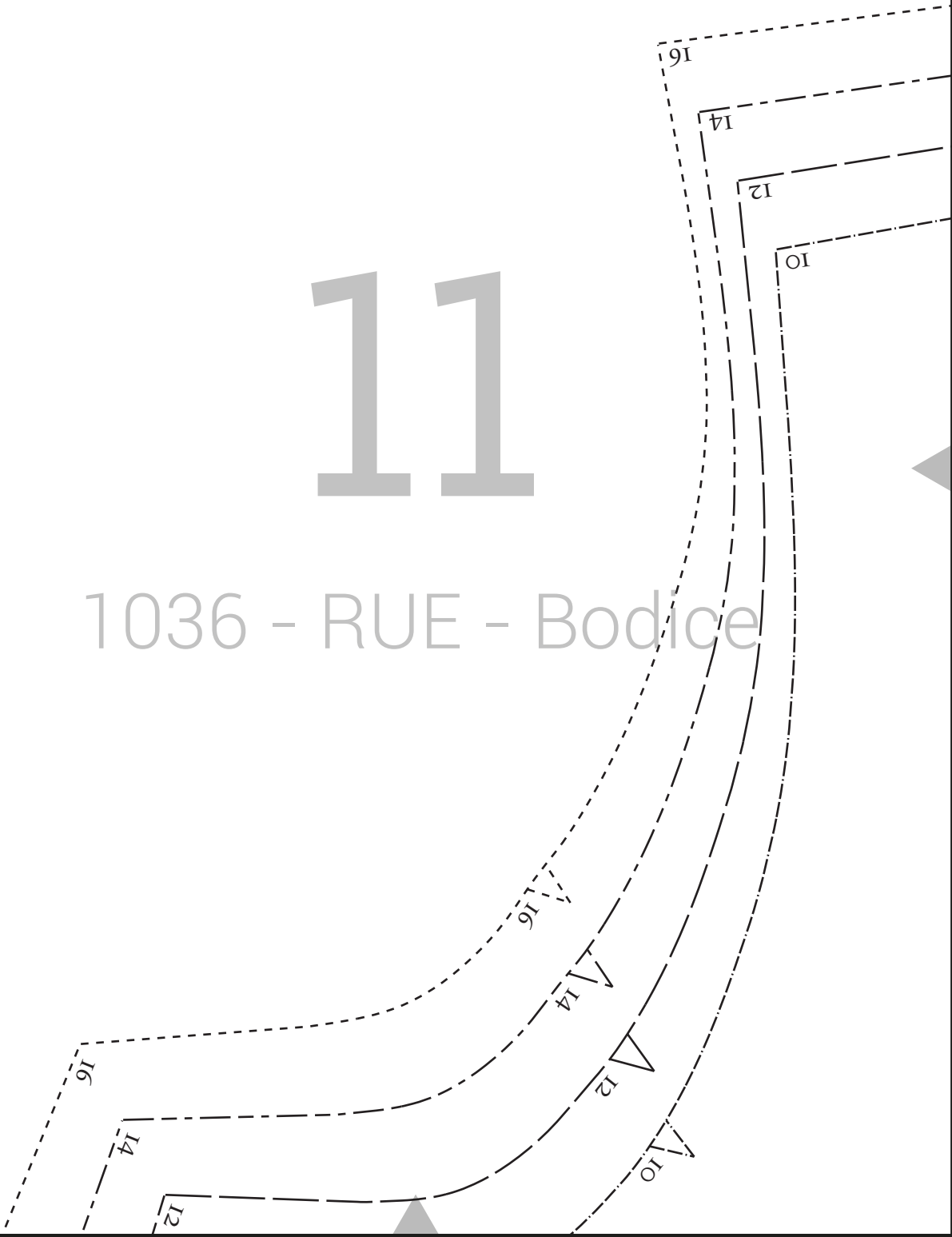


1036 - RUE - Bodice

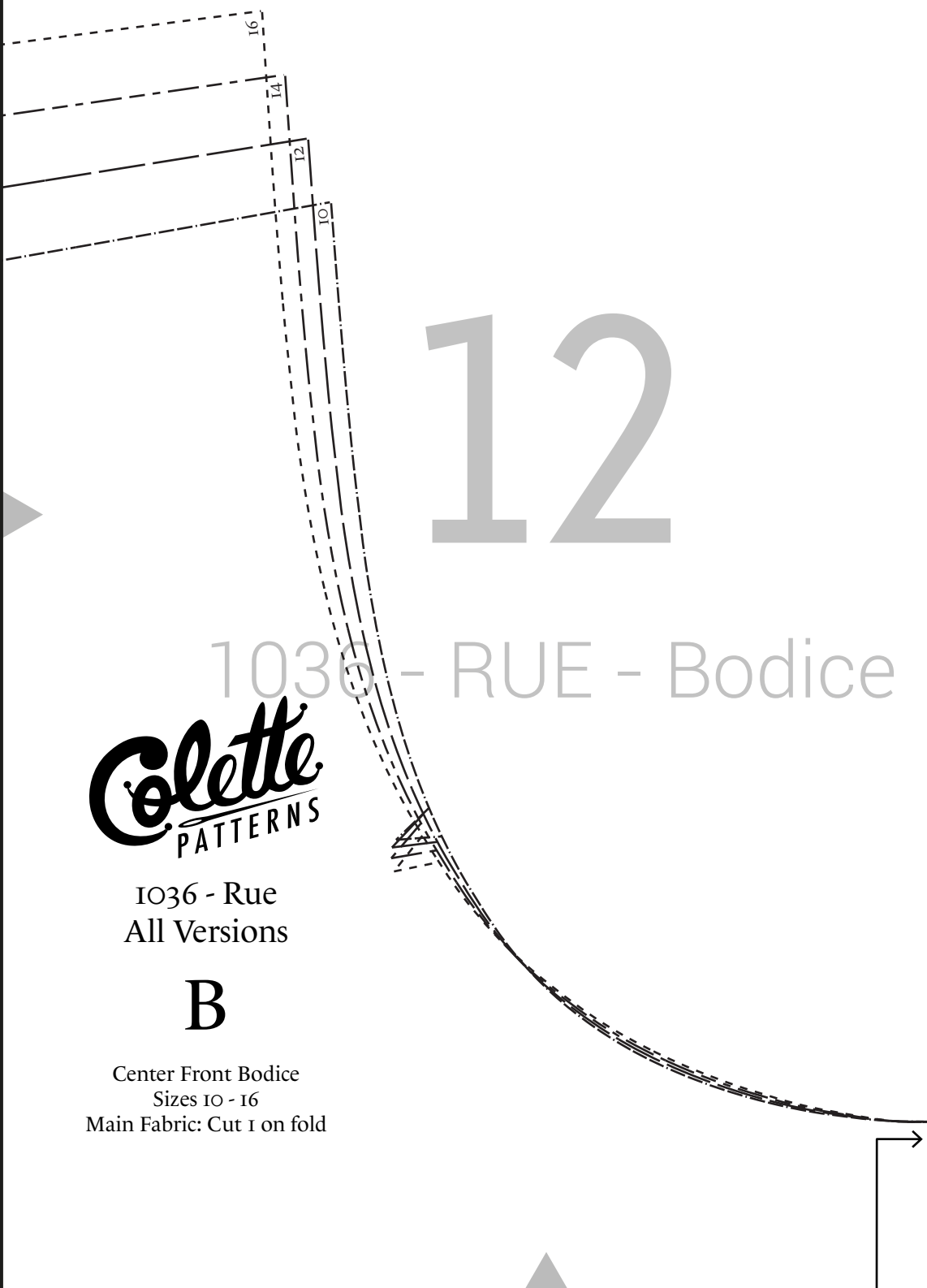


# 11

1036 - RUE - Bodice



0 2 4 6 8 10 12 14 16 18 20 22



1036 - RUE - Bodice

**Colette**  
PATTERNS

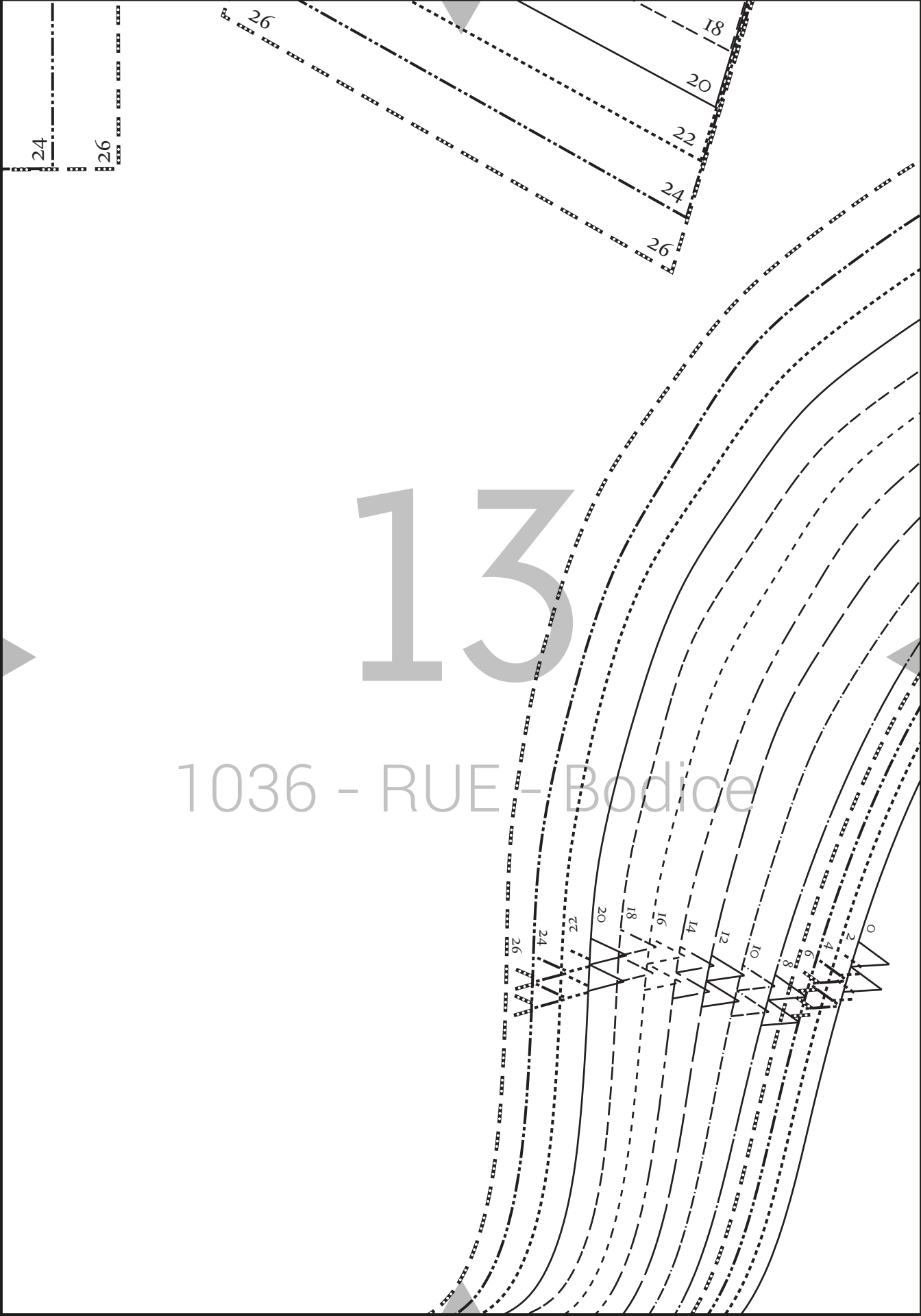
1036 - Rue  
All Versions

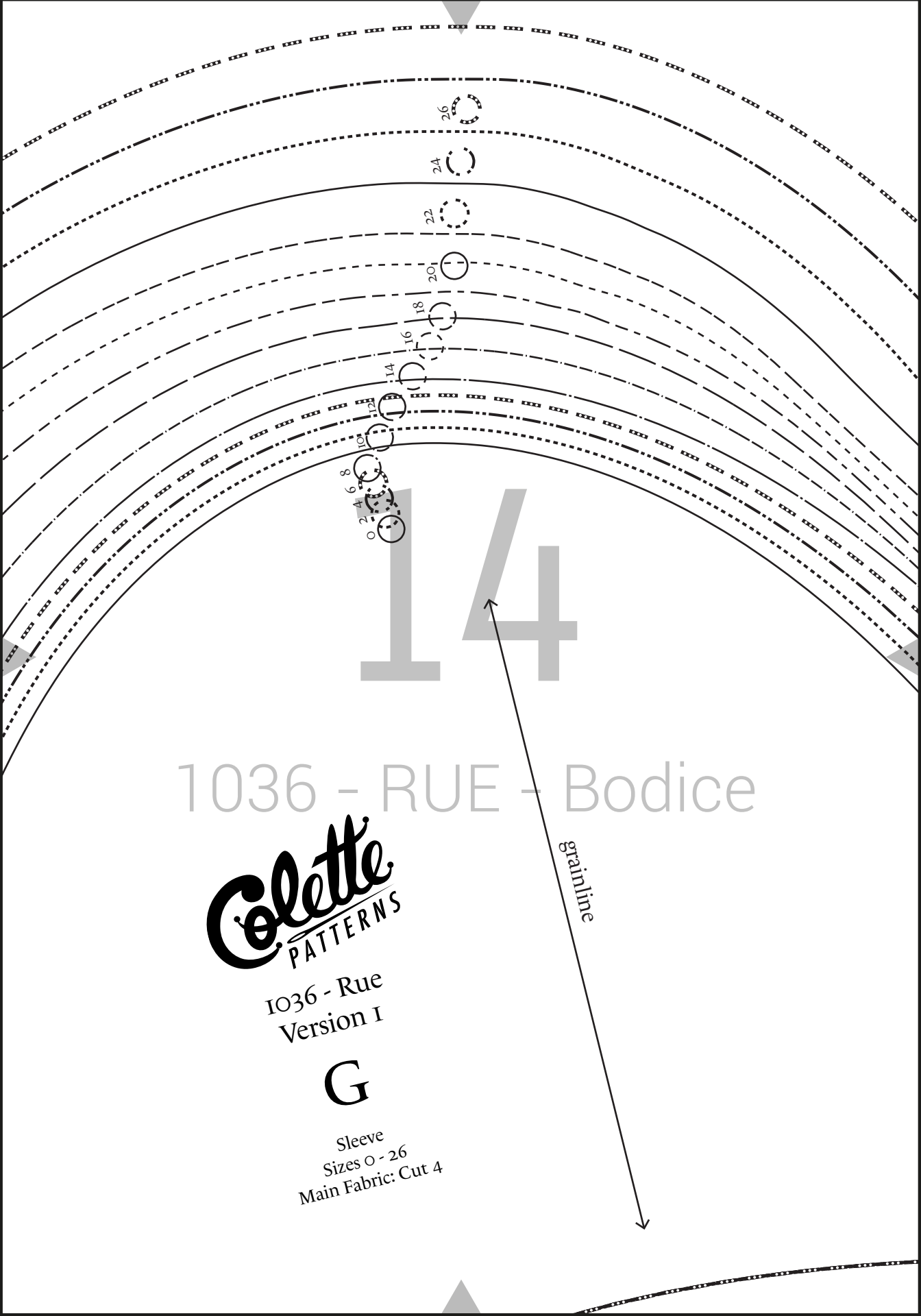
**B**

Center Front Bodice  
Sizes 10 - 16  
Main Fabric: Cut 1 on fold

13

1036 - RUE - Bodice





# 1036 - RUE - Bodice

**Colette**  
PATTERNS

1036 - Rue  
Version I

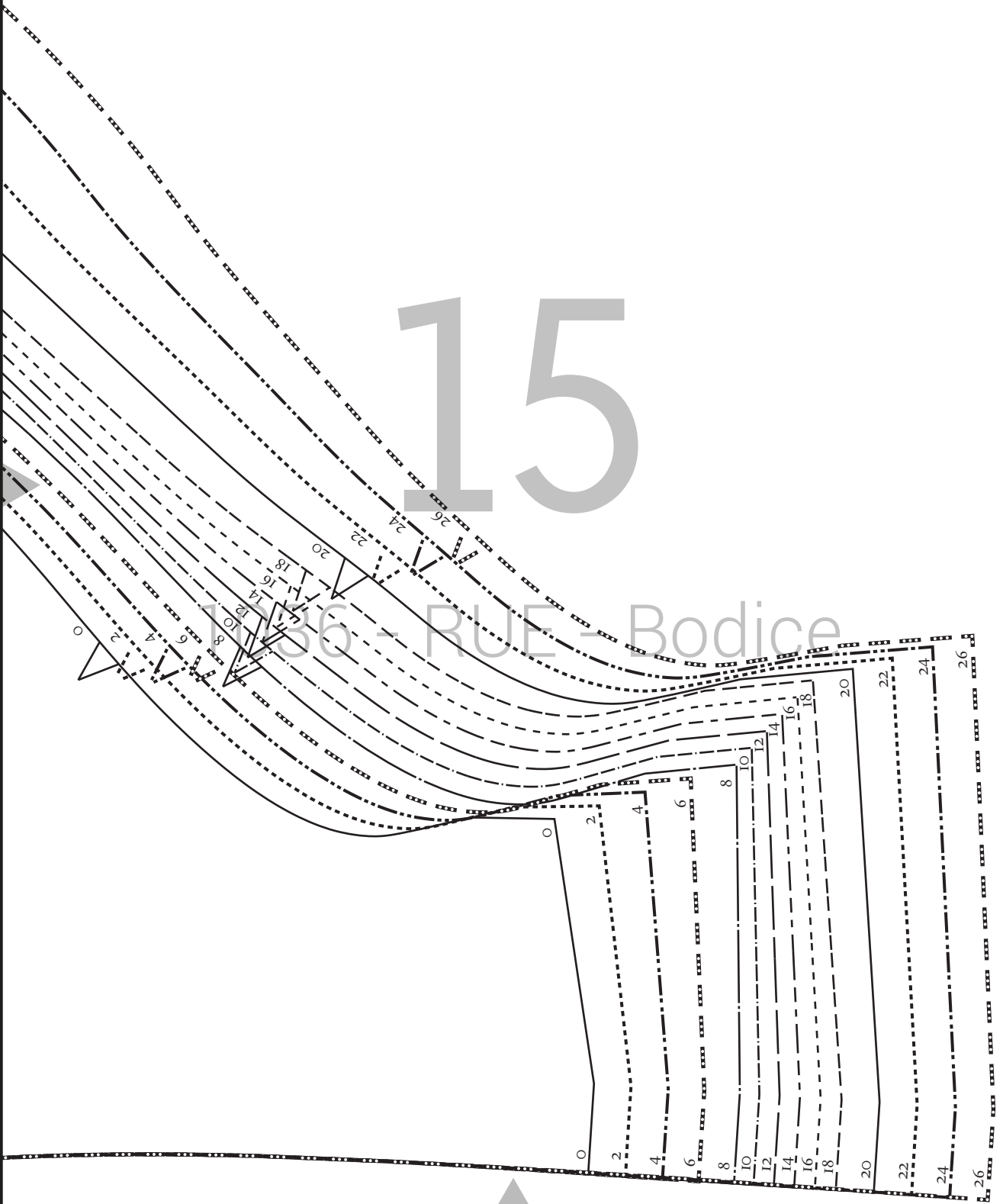
**G**

Sleeve  
Sizes 0 - 26  
Main Fabric: Cut 4

grainline

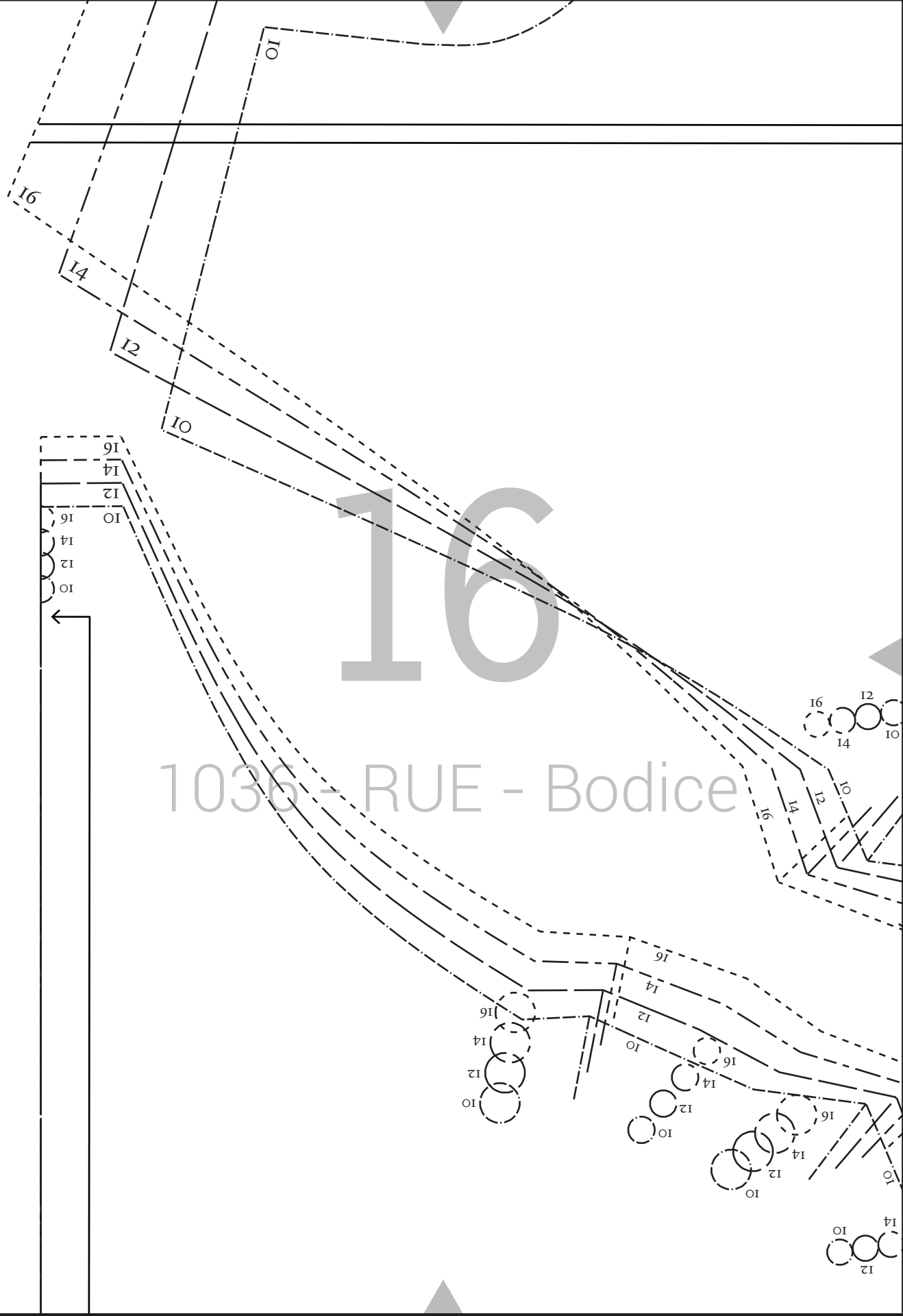
# 15

## 1536 - RUE - Bodice



# 16

## 1035 - RUE - Bodice



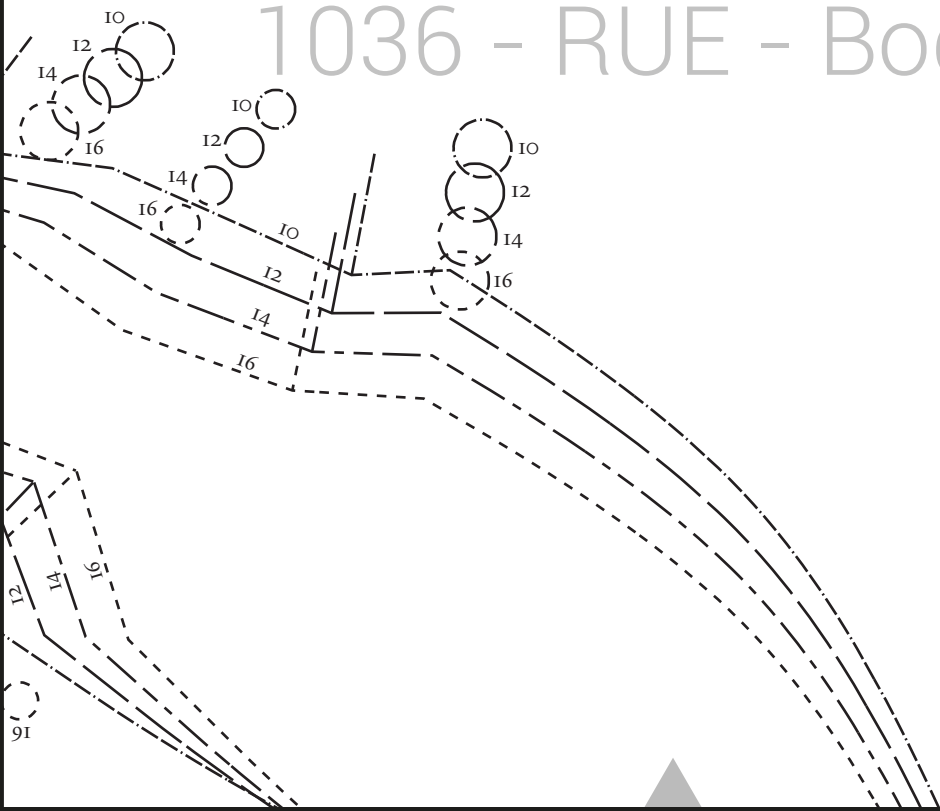


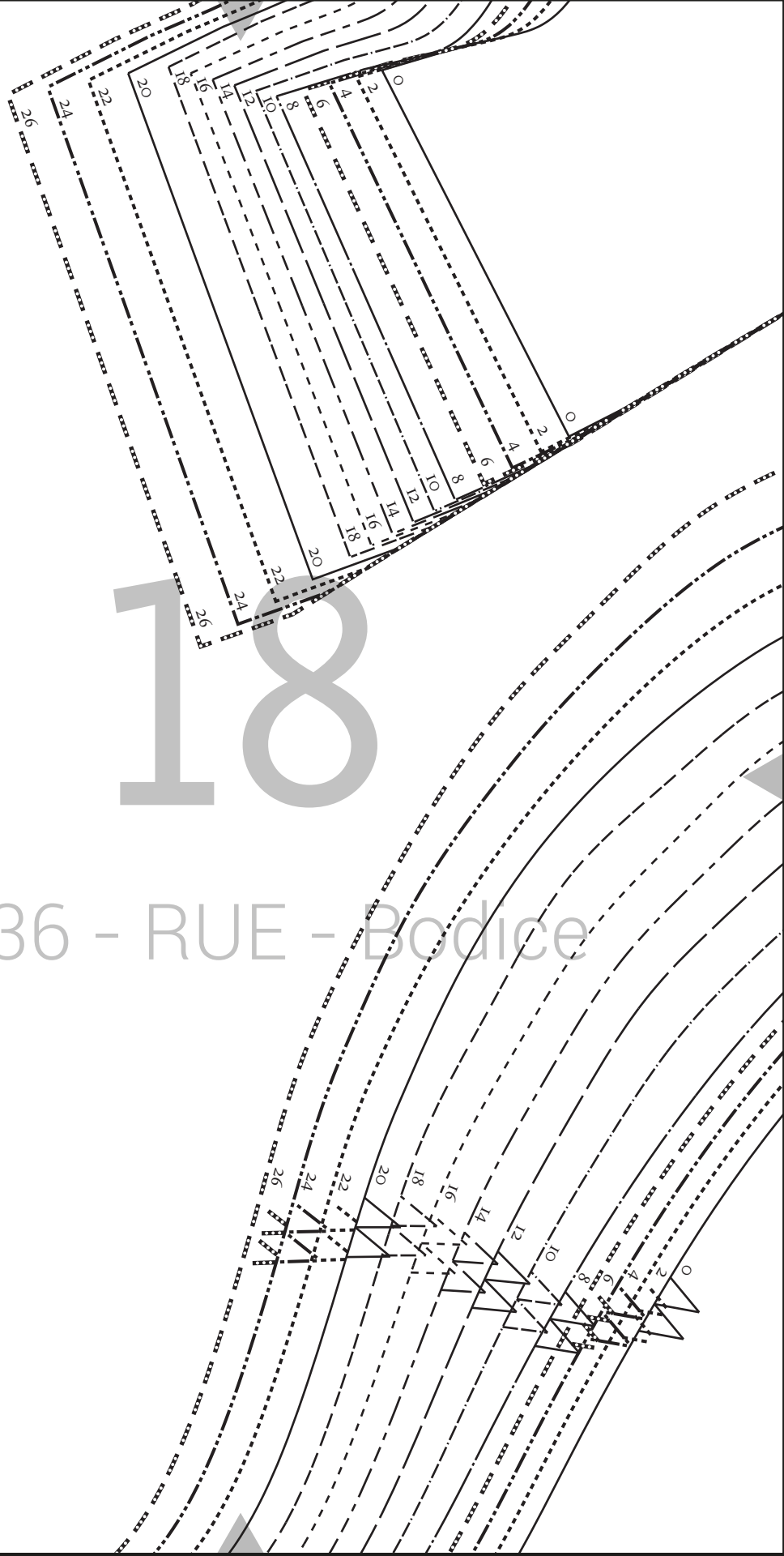
lengthen or shorten here

# 17

place on fold of fabric

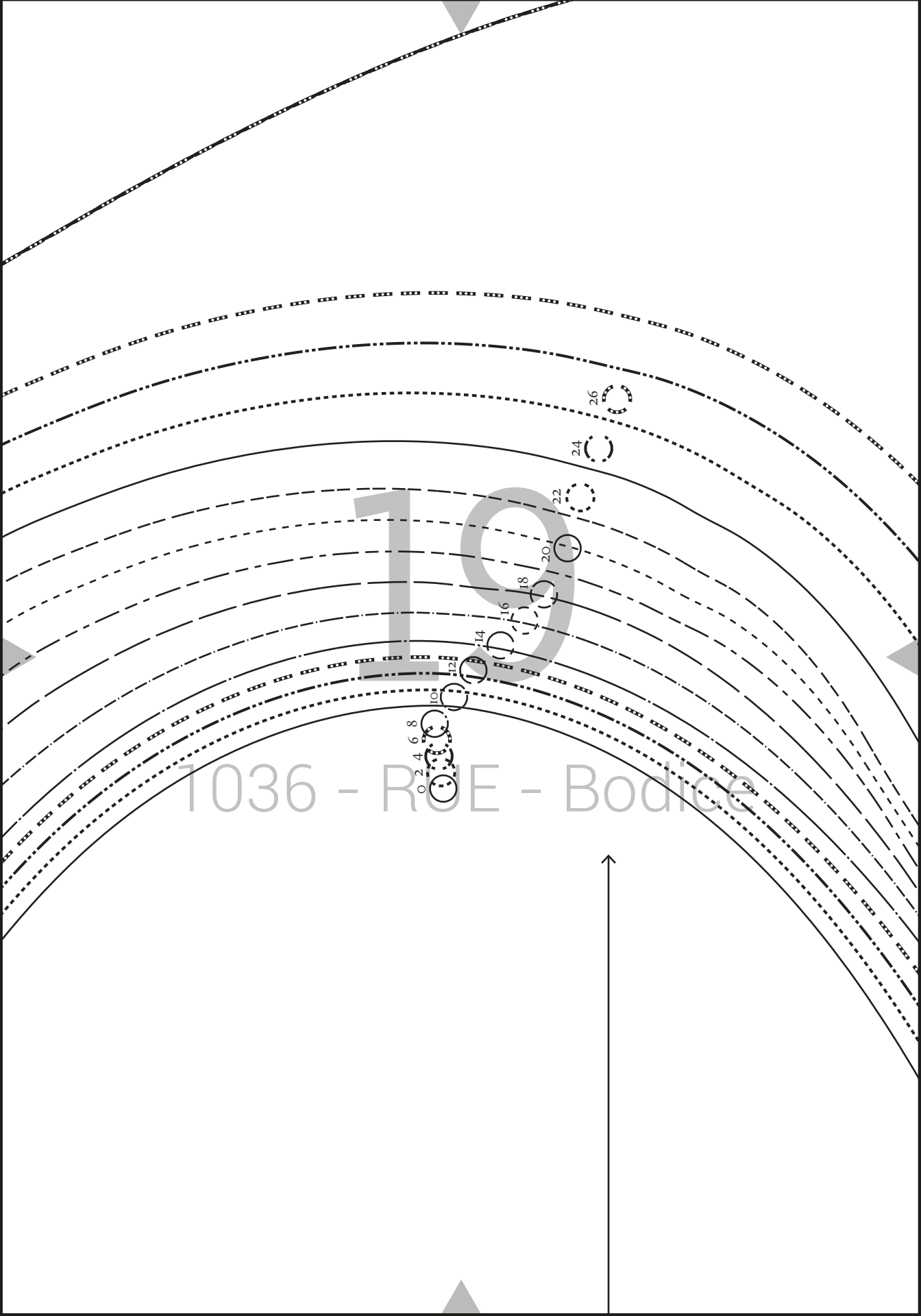
## 1036 - RUE - Bodice





18

1036 - RUE - Bodice



1036 - ROE - Bodice

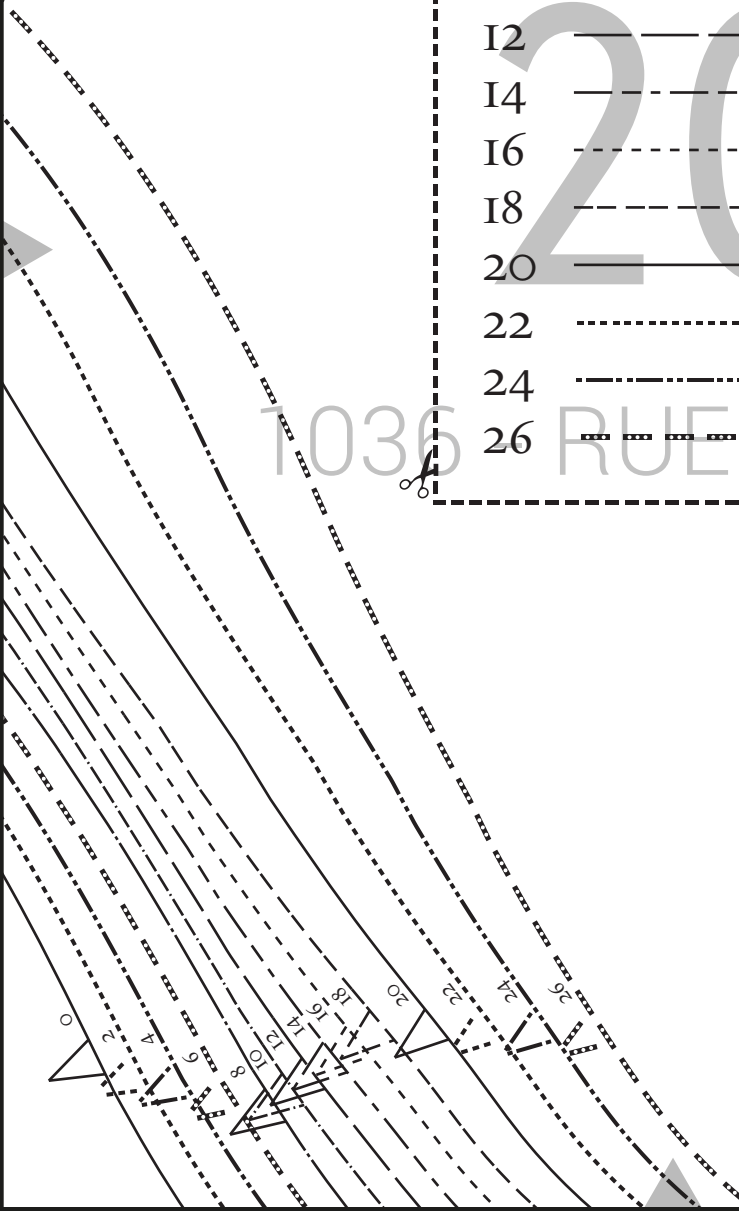
0  
2  
4  
6  
8  
10  
12  
14  
16  
18  
20  
22  
24  
26

Key

- 0 \_\_\_\_\_
- 2 ..... (dotted)
- 4 - - - - (dash-dot)
- 6 ..... (dotted with dots)
- 8 \_\_\_\_\_
- 10 - - - - (dash-dot)
- 12 \_\_\_\_\_
- 14 - - - - (dash-dot)
- 16 ..... (dotted)
- 18 \_\_\_\_\_
- 20 \_\_\_\_\_
- 22 ..... (dotted)
- 24 - - - - (dash-dot)
- 26 ..... (dotted with dots)

20

1036 RUE - Bodice



place on fold of fabric

lengthen or shorten here

21

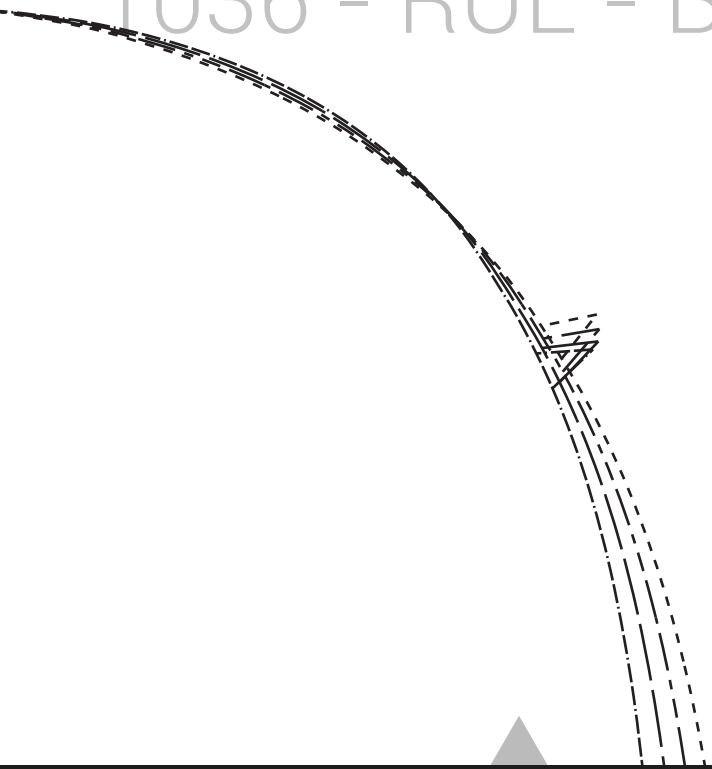
1036 - RUE - Bodice

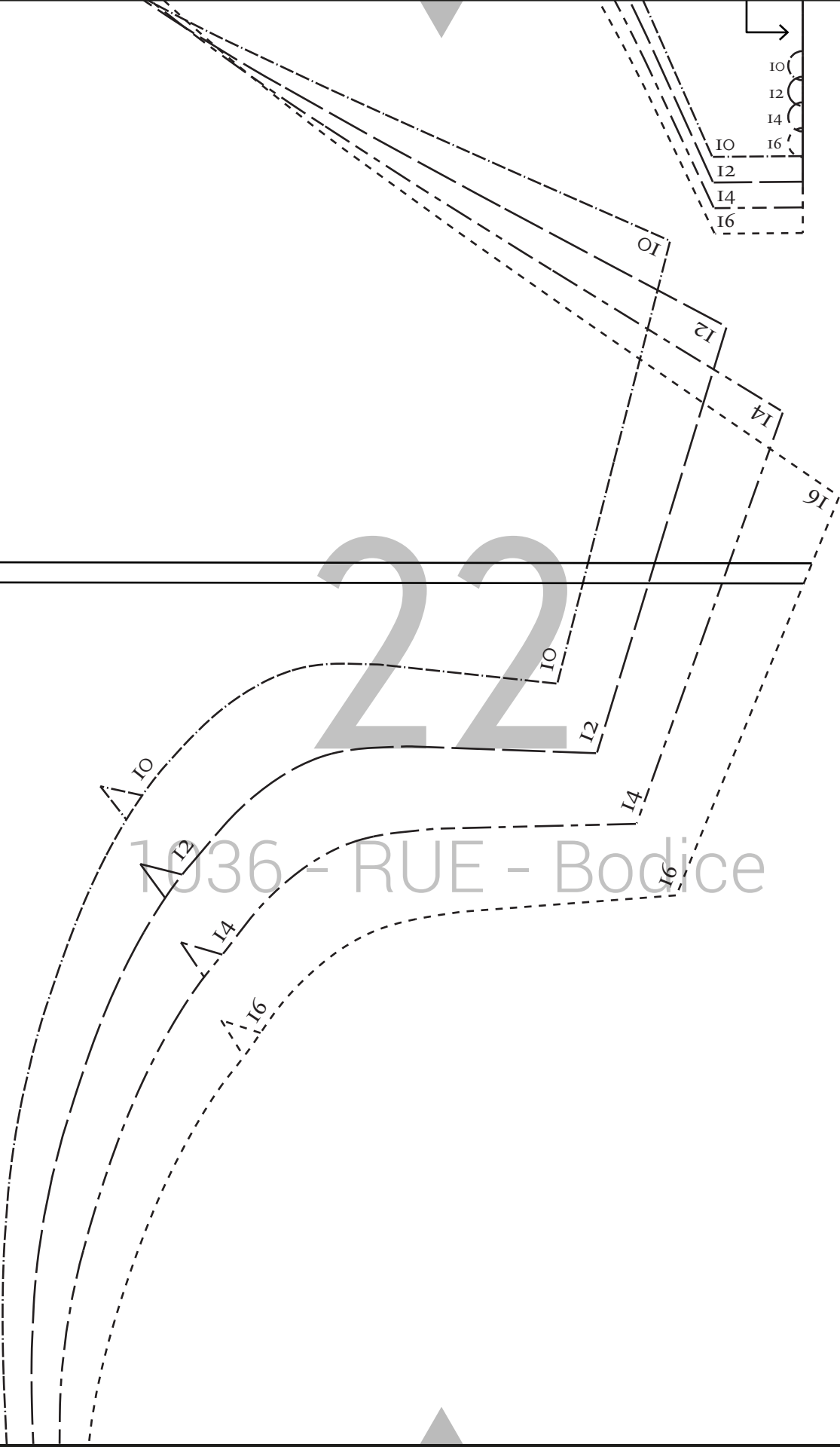
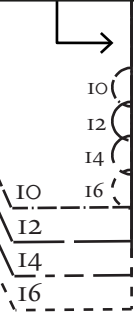
Center Front Bodice Lining  
Sizes 10 - 16  
Lining Fabric: Cut 1 on fold

H

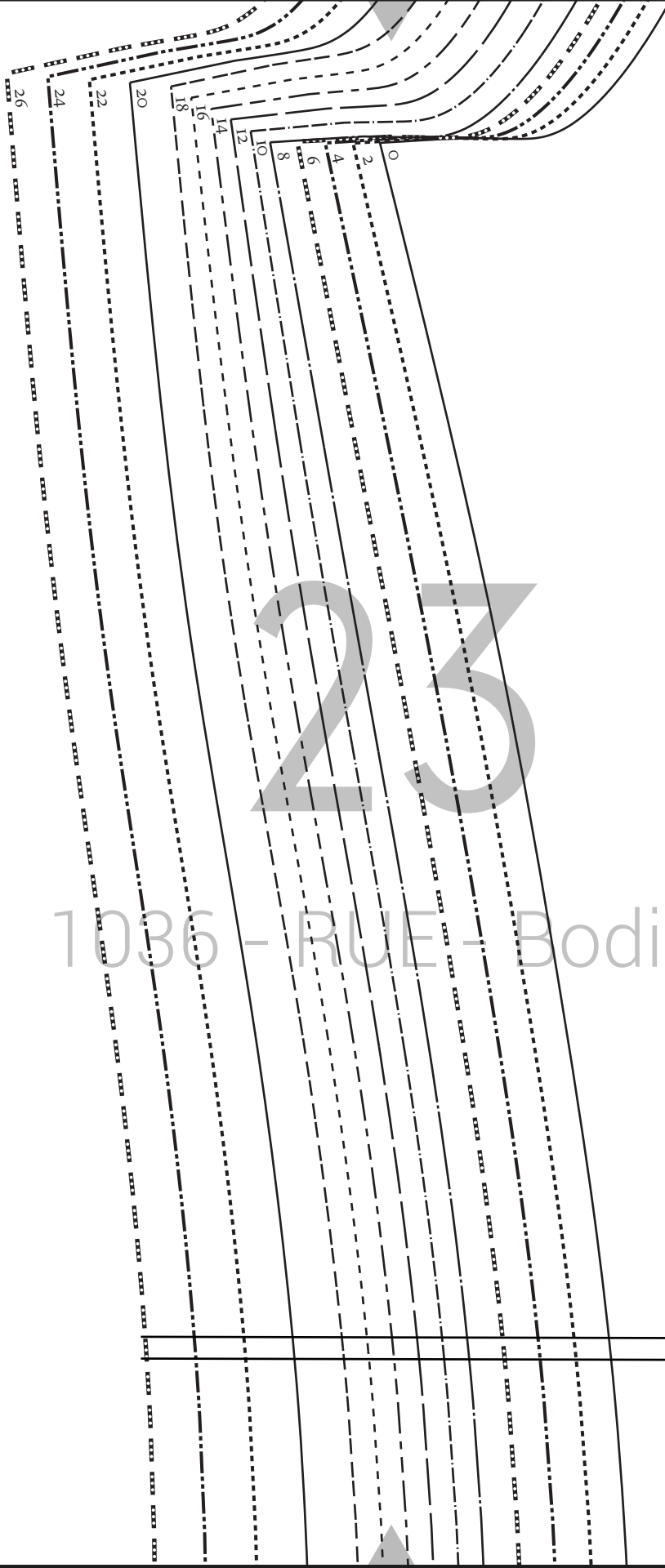
All Versions  
1036 - Rue

**Goette**  
PATTERNS





1036 - RUE - Bodice



23

1036 - RUE - Bodice

**Colette**  
PATTERNS

1036 - Rue  
Version 2

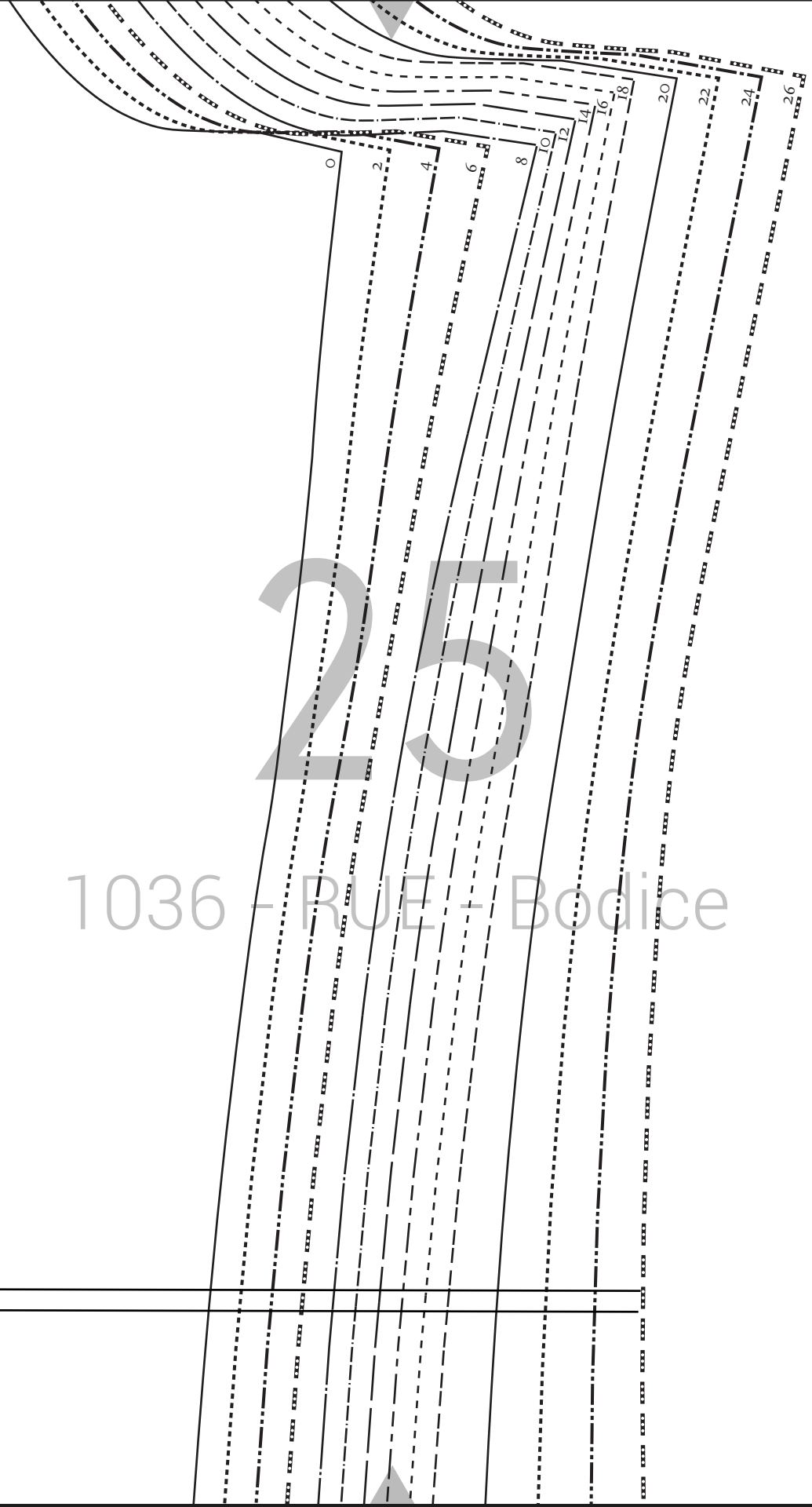
**L**

Sleeve  
Sizes 0 - 26  
Main Fabric: Cut 2

grainline

lengthen or shorten here



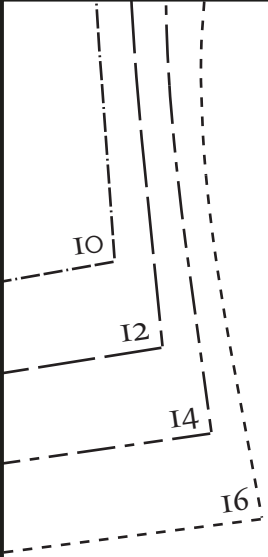


1036 - RUE - Bodice



# 26

1036 - RUE - Bodice



# 27

1036 - RUE - Bodice

0
2
4
6
8
10
12
14
16
18
20
22
24
26

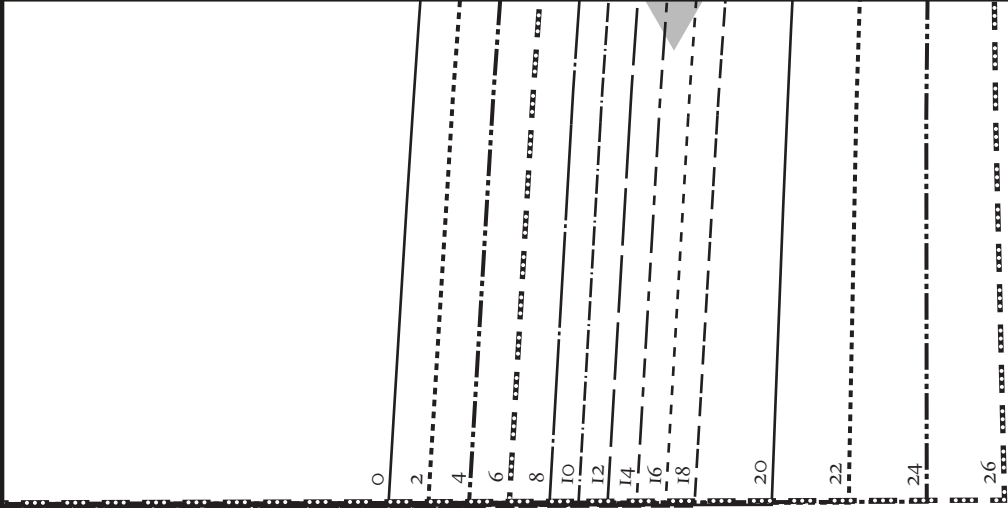
# 28

1036 - RUE - Bodice



29

1036 - RUE - Bodice



30

1036 - RUE - Bodice