

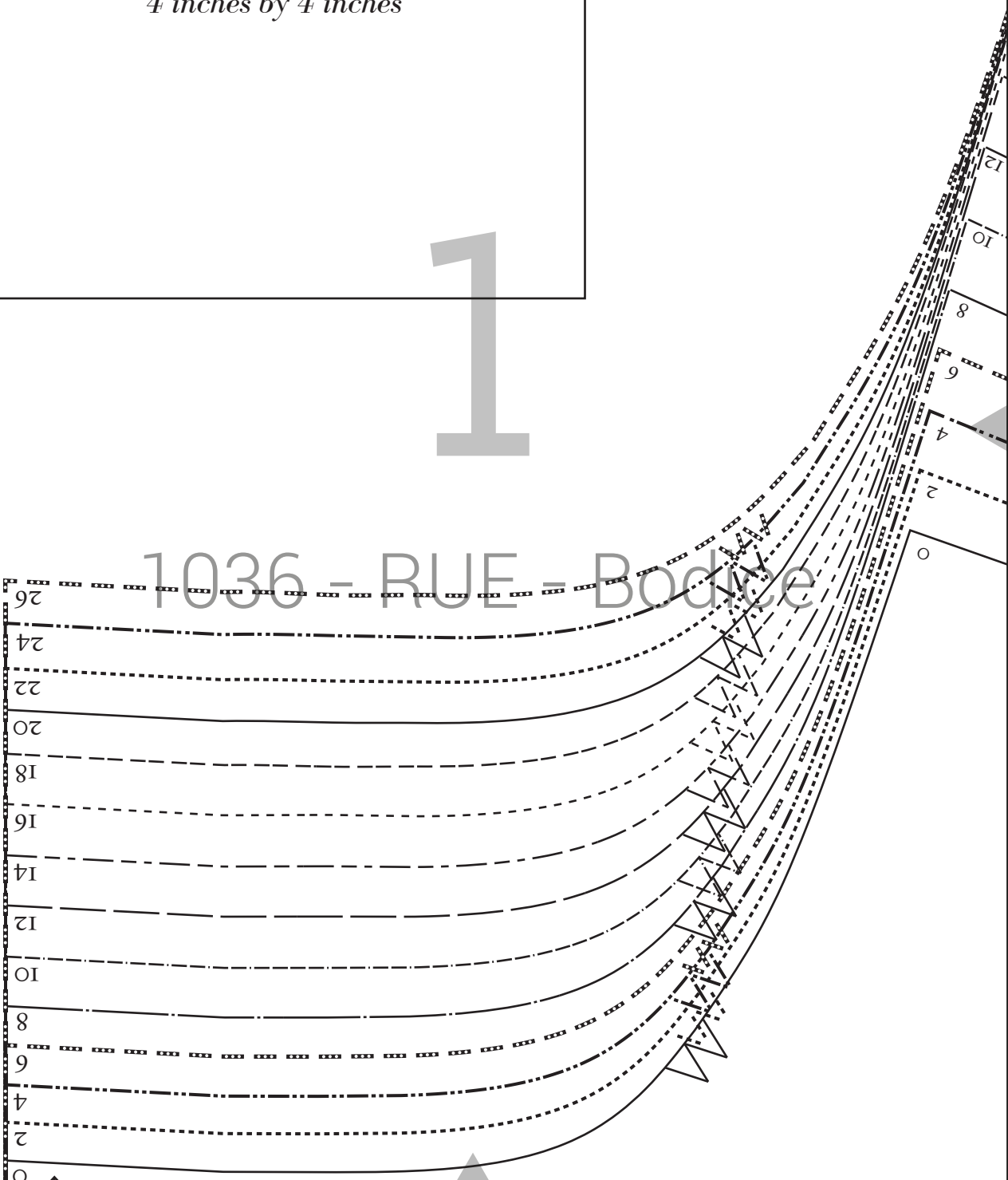
Test Square  
*4 inches by 4 inches*

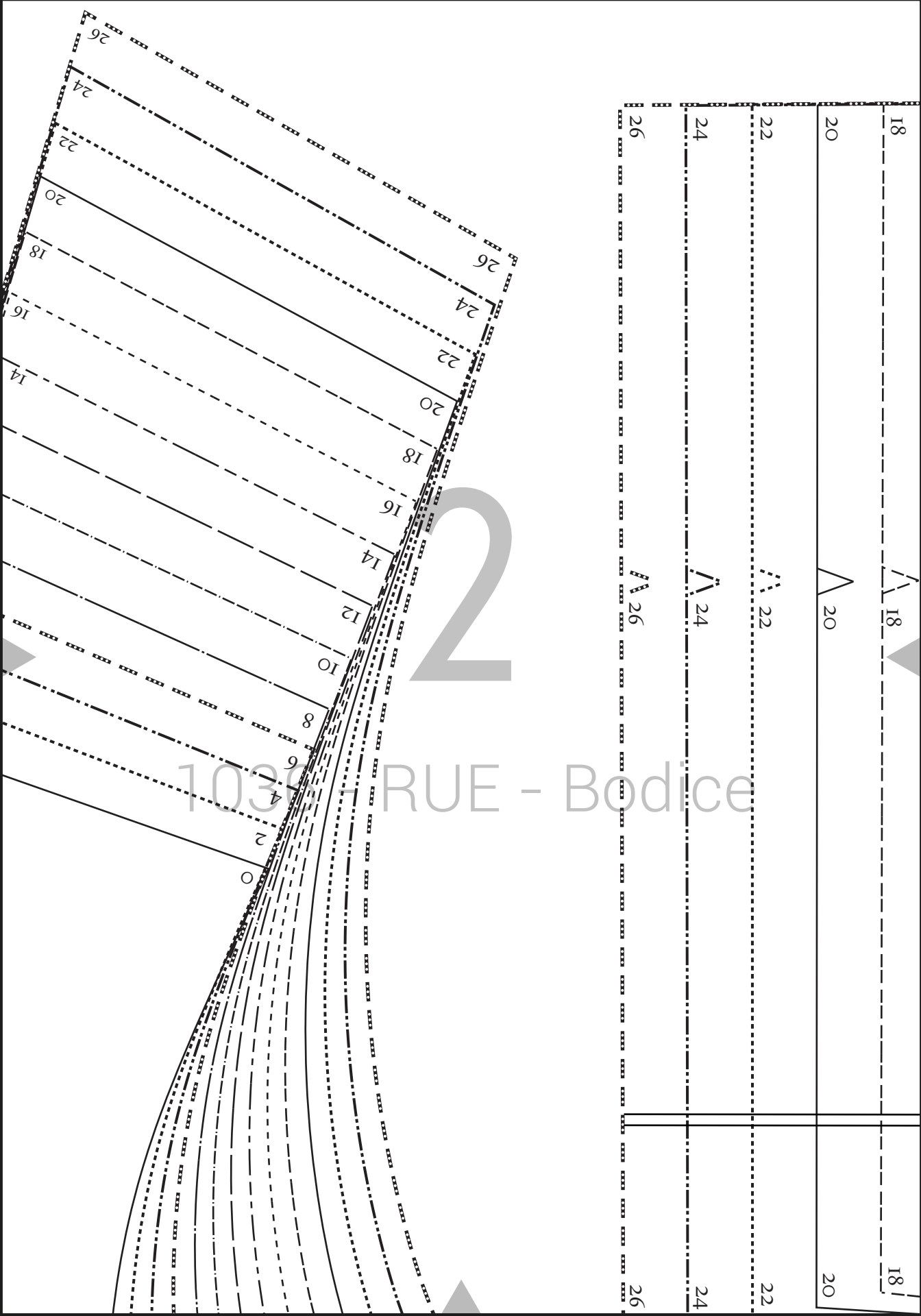
1

1036 - RUE - Bodice

26  
24  
22  
20  
18  
16  
14  
12  
10  
8  
6  
4  
2  
0 ↑

12  
10  
8  
6  
4  
2  
0





18

18

18

20

20

20

22

22

22

24

24

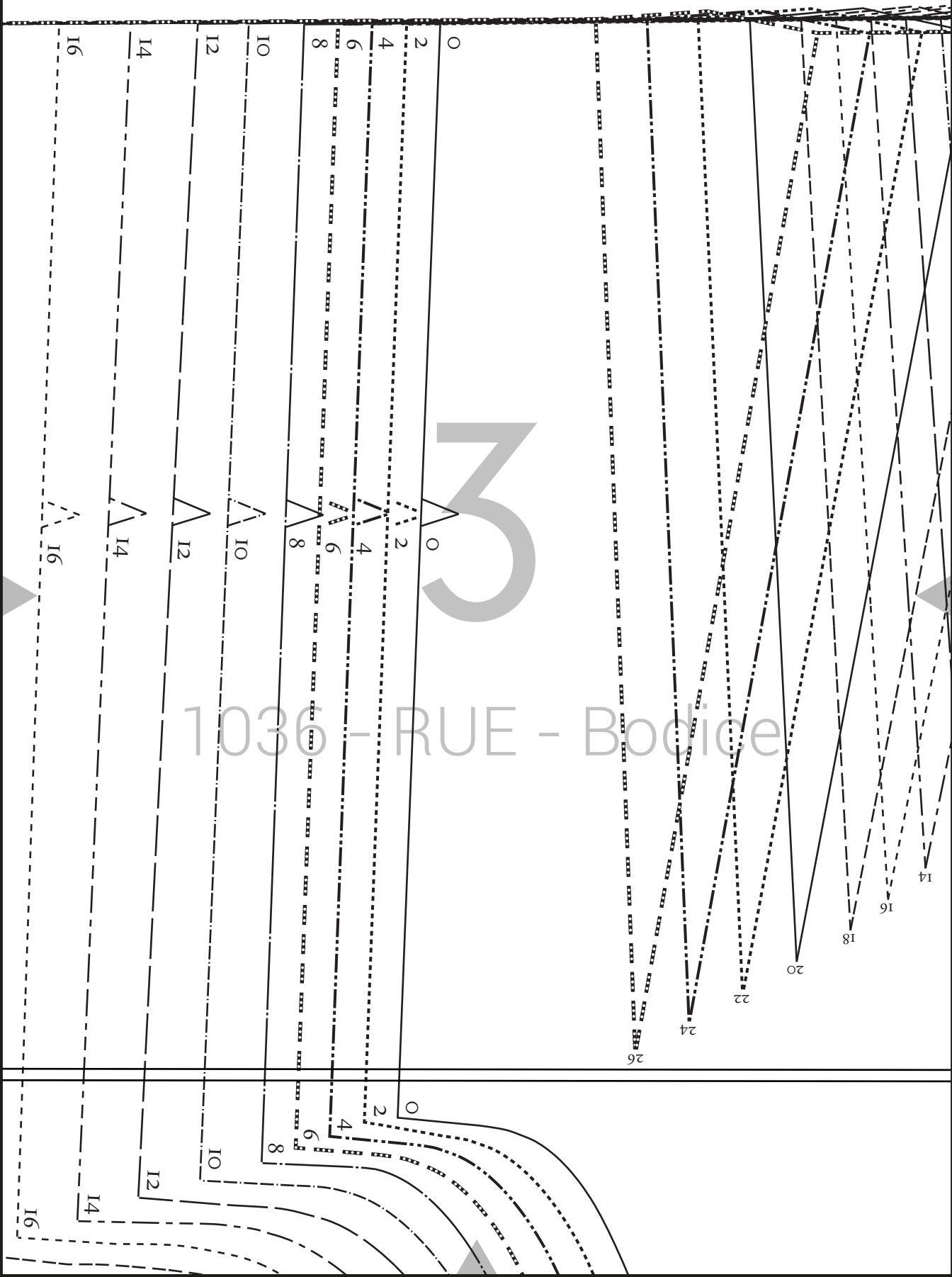
24

26

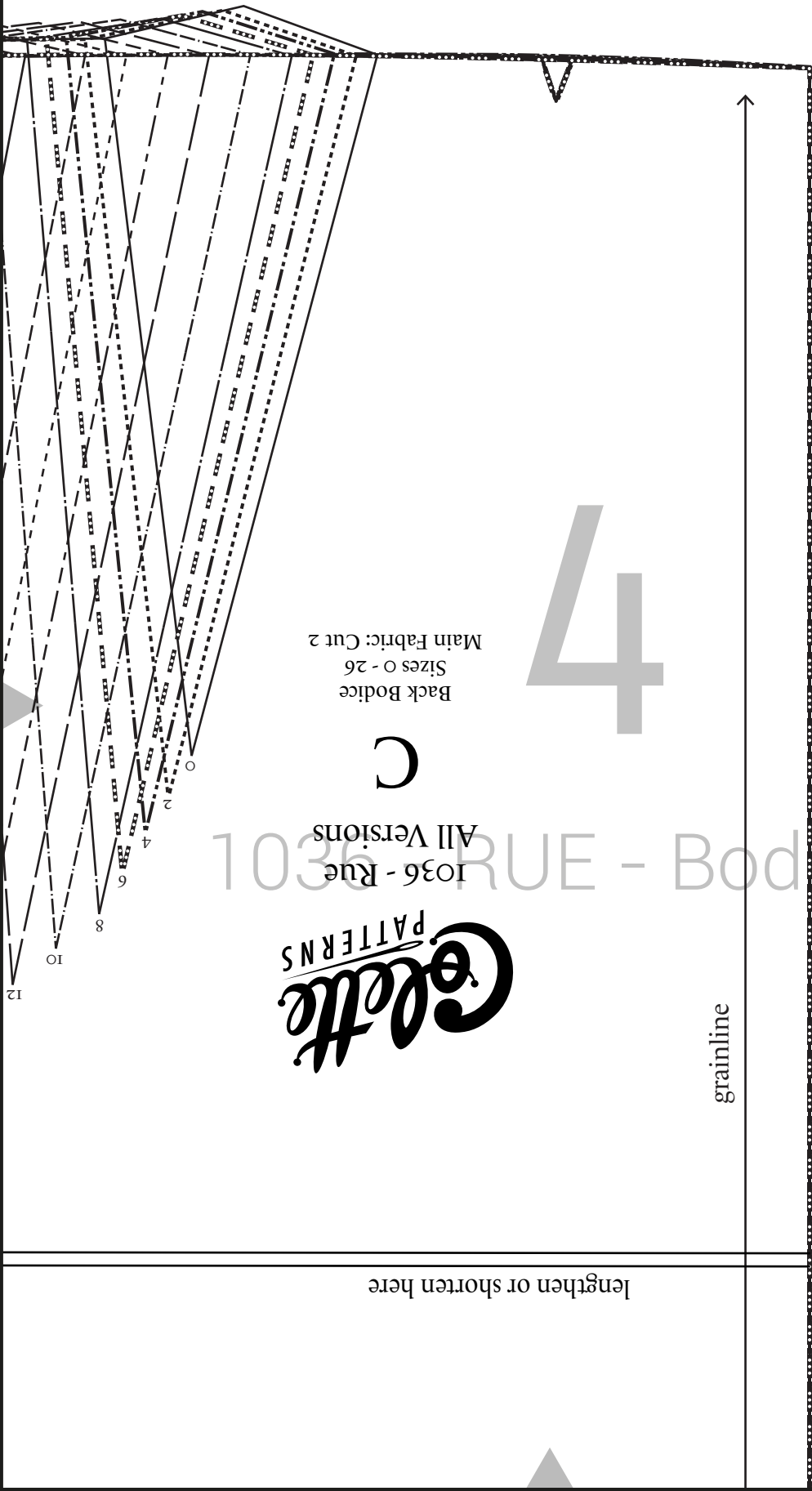
26

26

1030 RUE - Bodice



1036 - RUE - Bodice



Back Bodice  
Sizes 0 - 26  
Main Fabric: Cut 2

C

1036 - Rue  
All Versions

**Colette**  
PATTERNS

4

1036 - RUE - Bodice

grainline

lengthen or shorten here

grainline →

**Colette**  
PATTERNS

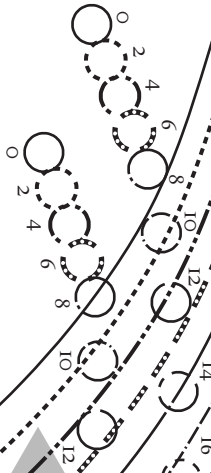
1036 - Rue  
All Versions

**A**

Side Front Bodice  
Sizes 0 - 26  
Main Fabric: Cut 2  
Lining Fabric: Cut 2

lengthen or shorten here

1036 - RUE - BODICE



0 2 4 6 8 10 12 14 16 18 20 22 24 26

lengthen or shorten here

grainline

**Colette**  
PATTERNS

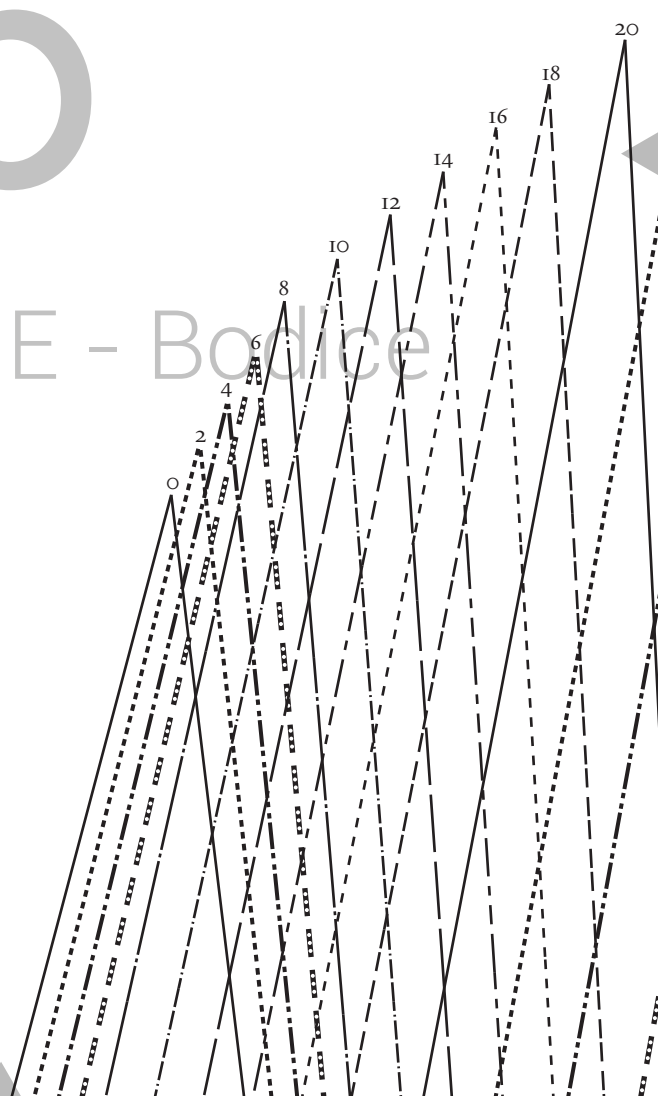
1036 - Rue - Bodice  
All Versions

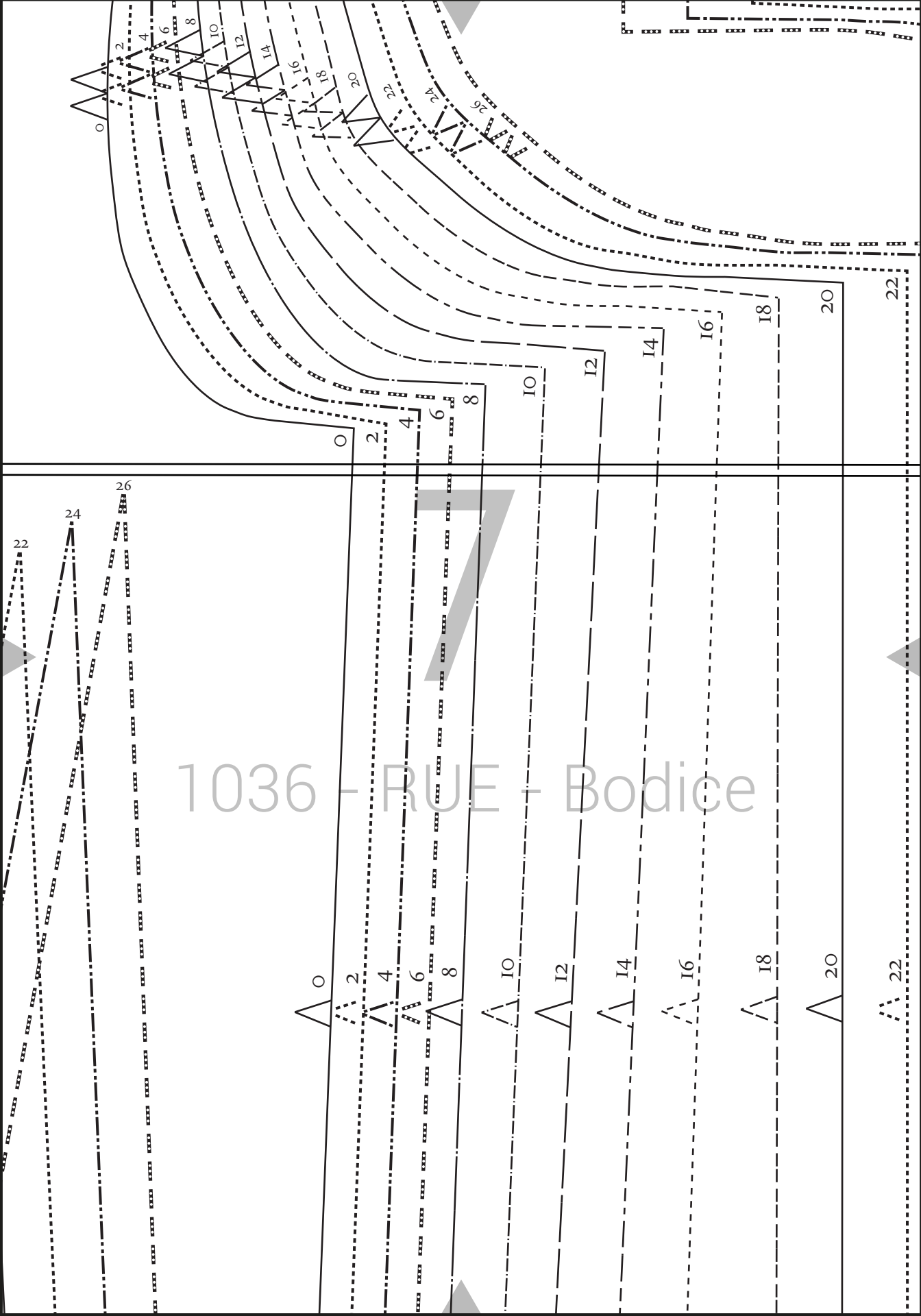
I

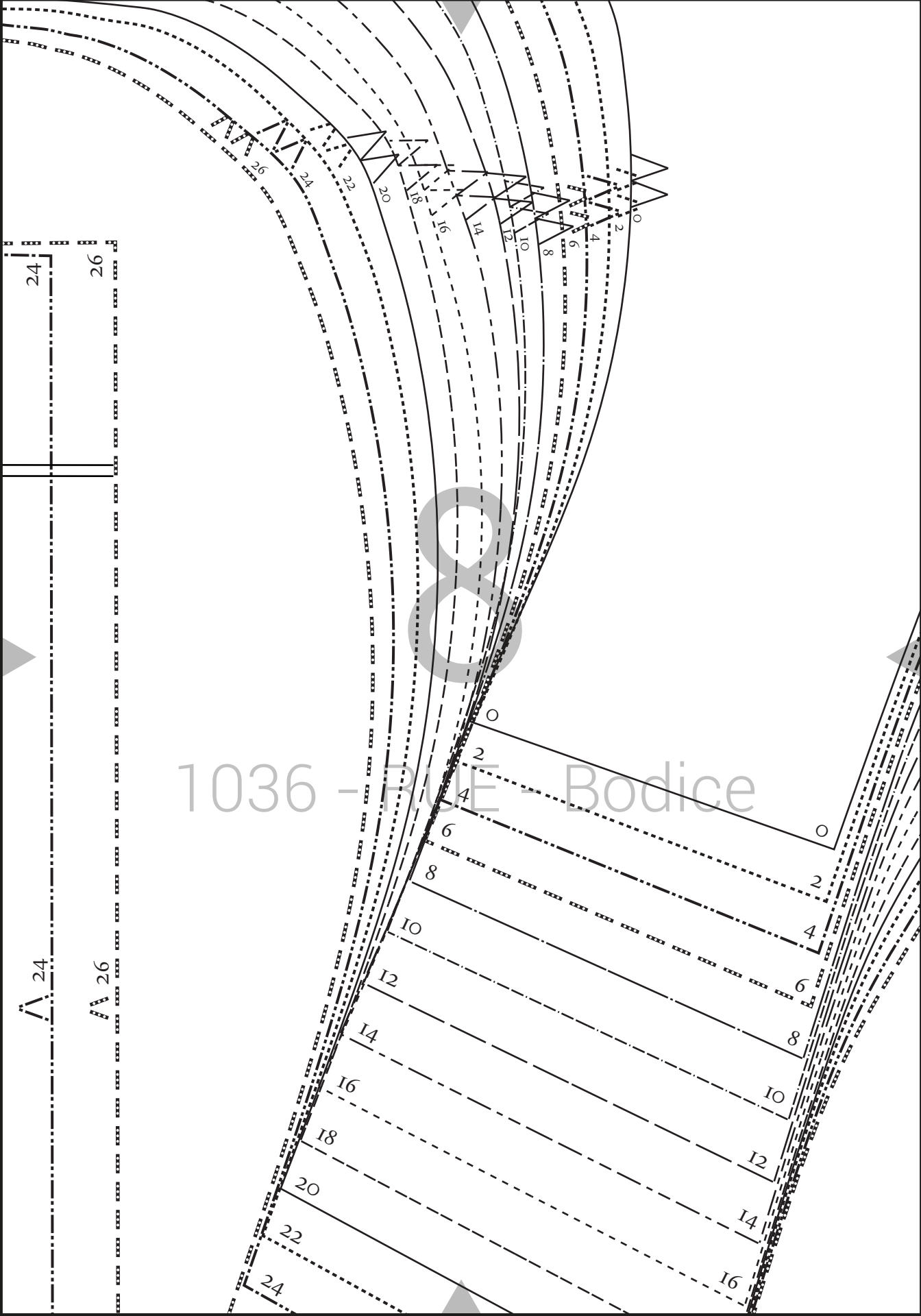
Back Bodice Lining  
Sizes 0 - 26  
Lining Fabric: Cut 2

6

1036 - RUE - Bodice

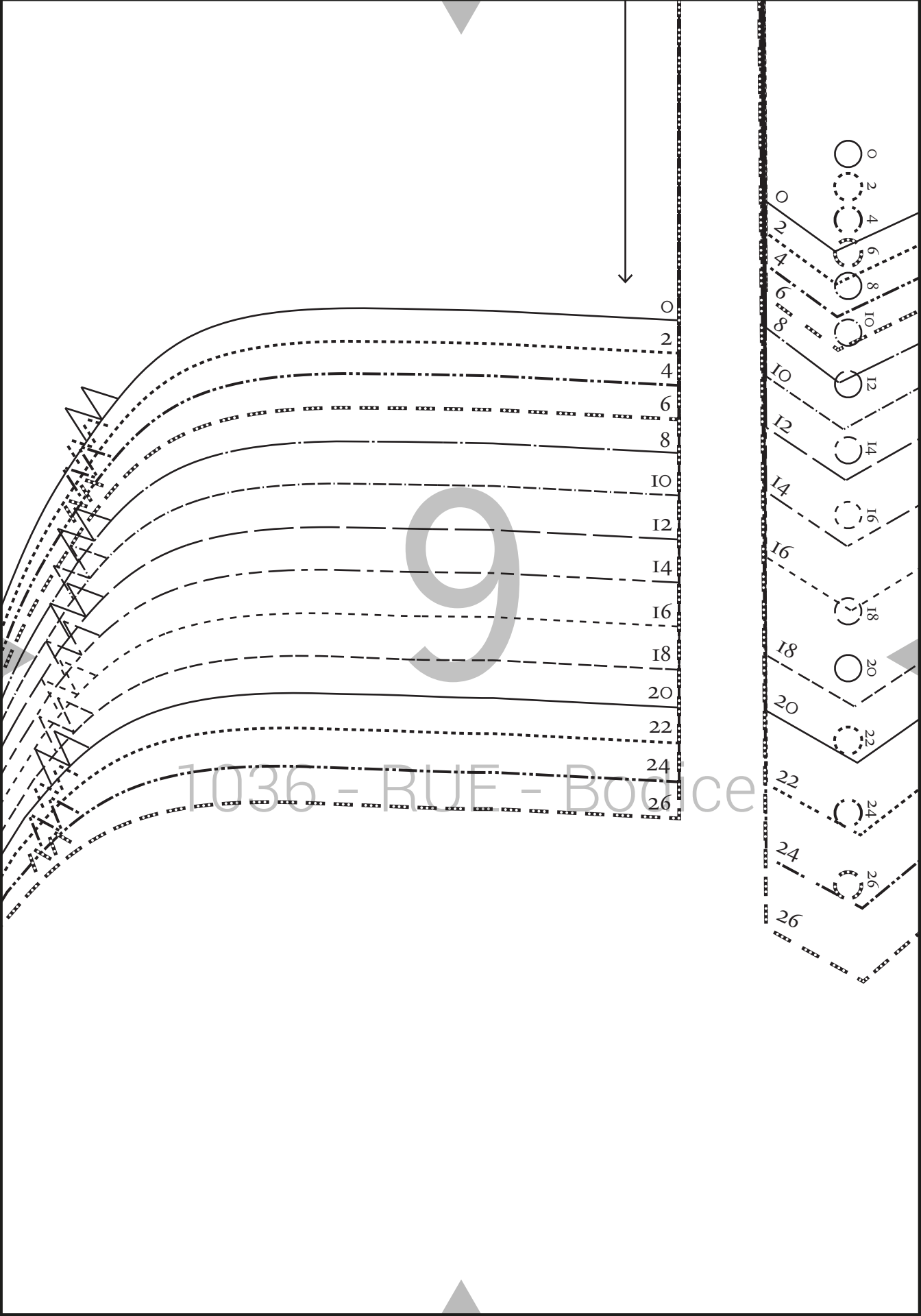




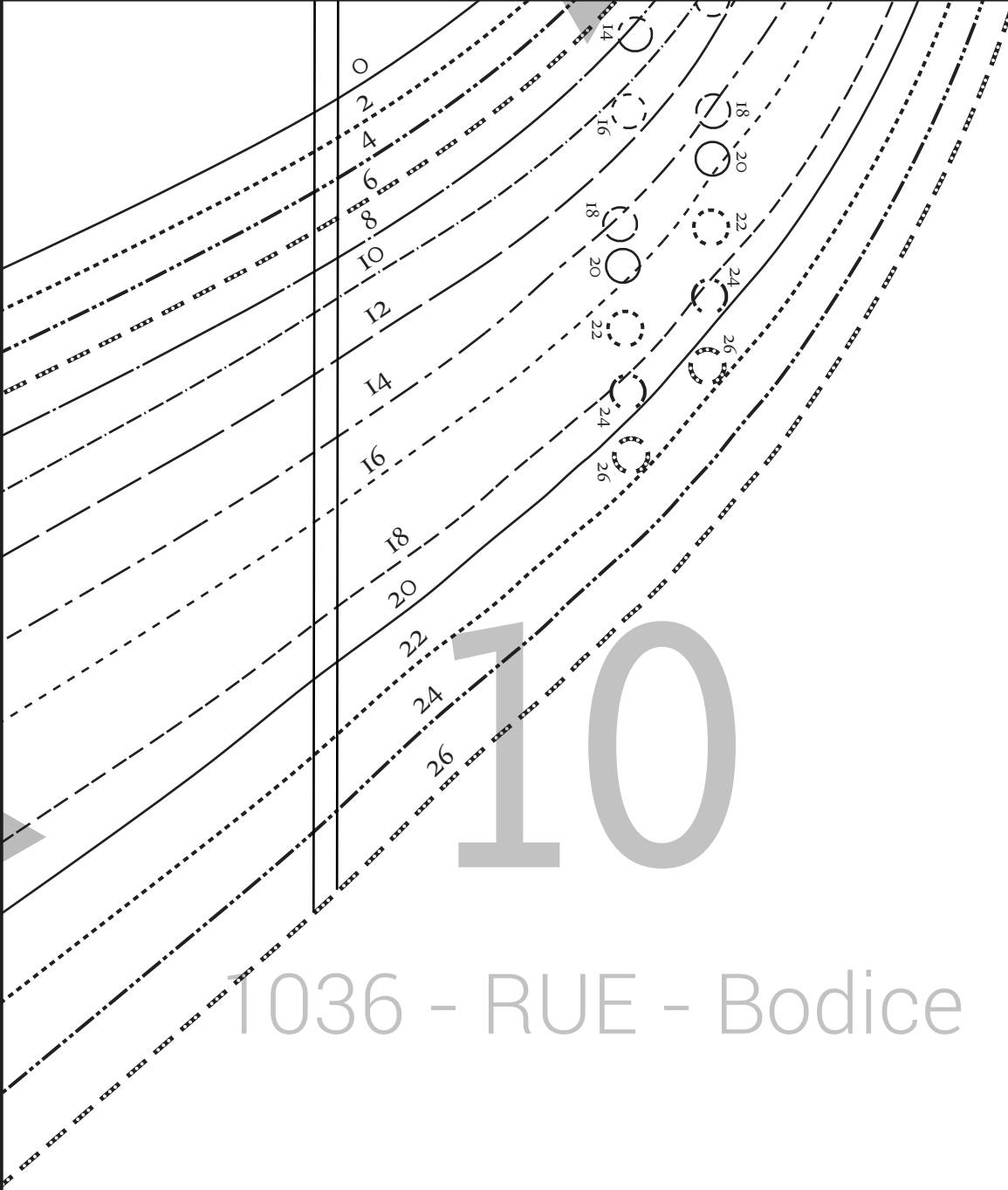


1036 - PLE - Bodice

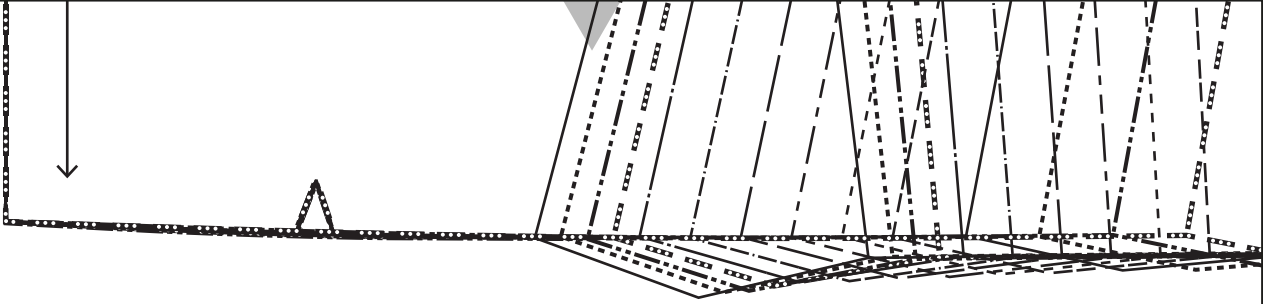




1036 - RUE - BODICE

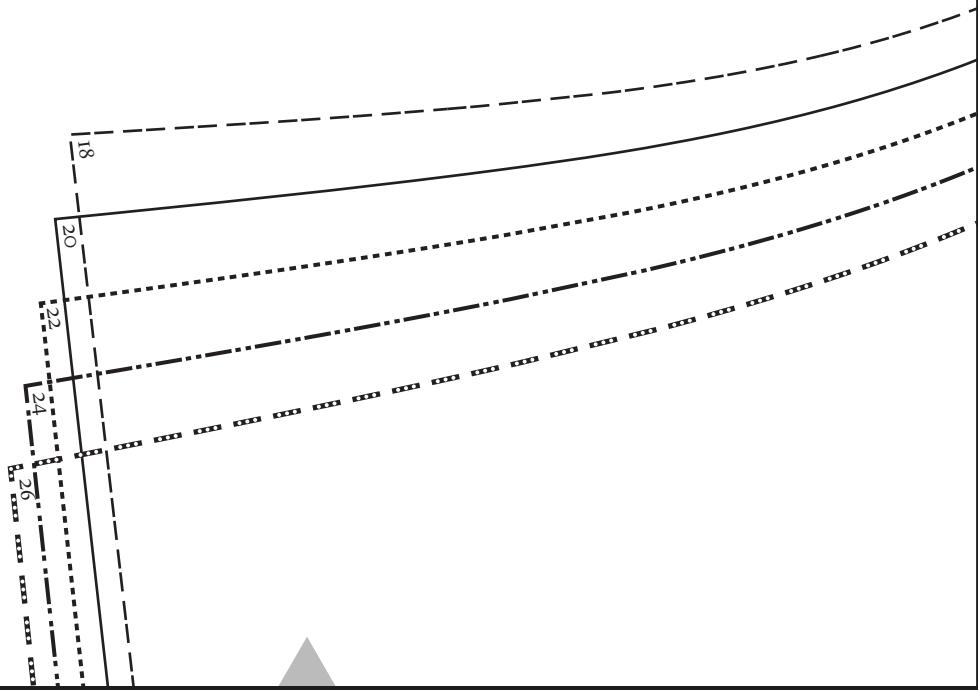


1036 - RUE - Bodice



# 11

1036 - RUE - Bodice



**Collette**  
PATTERNS

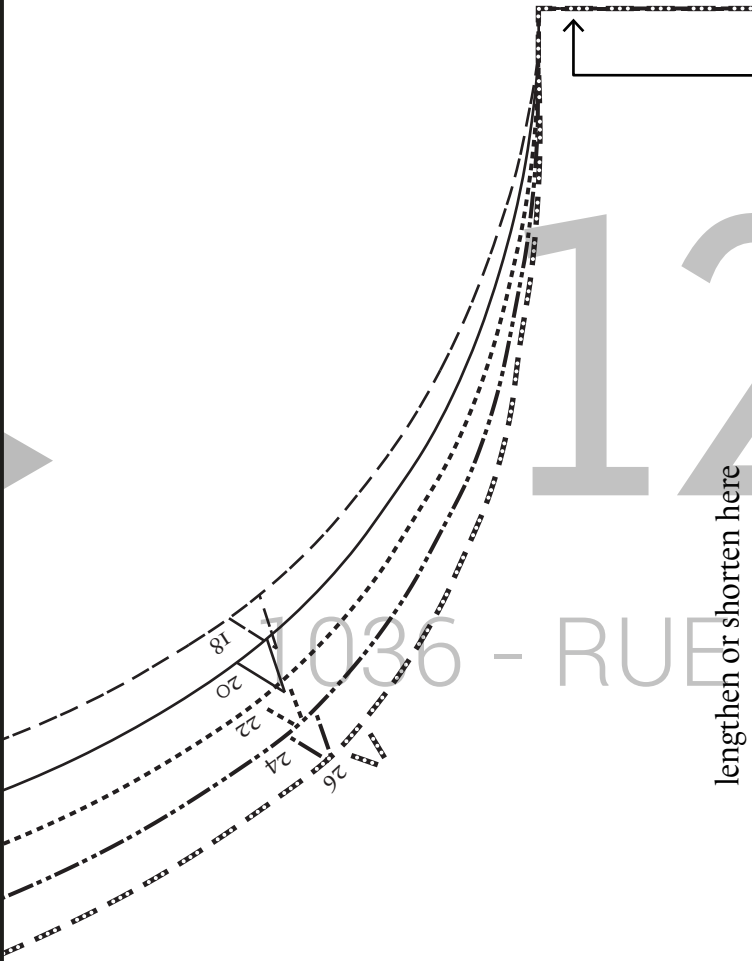
IO36 - Rue  
All Versions

H

Center Front Bodice Lining

Sizes 18 - 26

Lining Fabric: Cut 1 on fold



lengthen or shorten here

0

2

4

6

8

10

12

14

16

18

20

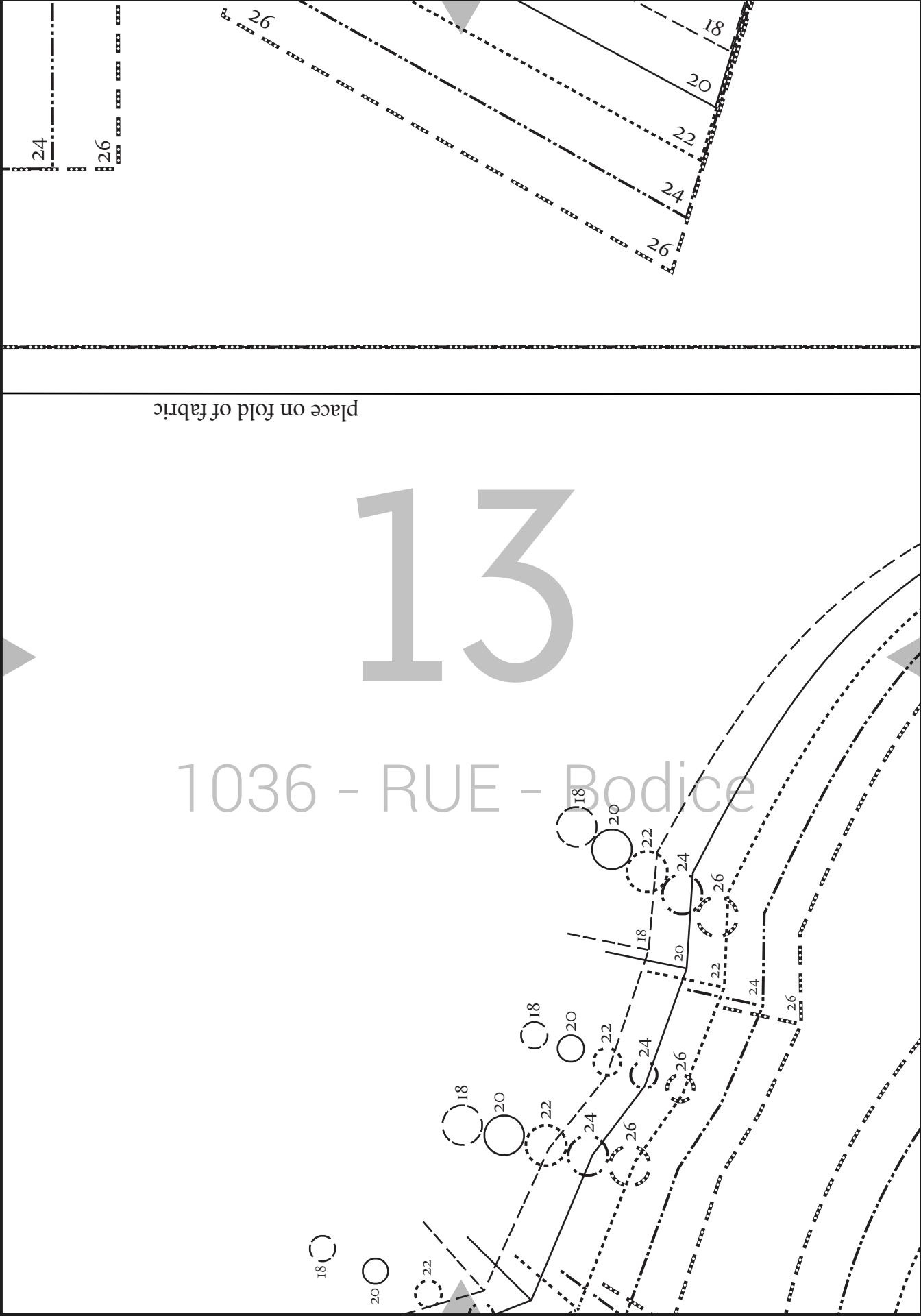
22

IO36 - RUE - Bodice

# 13

1036 - RUE - Bodice

place on fold of fabric



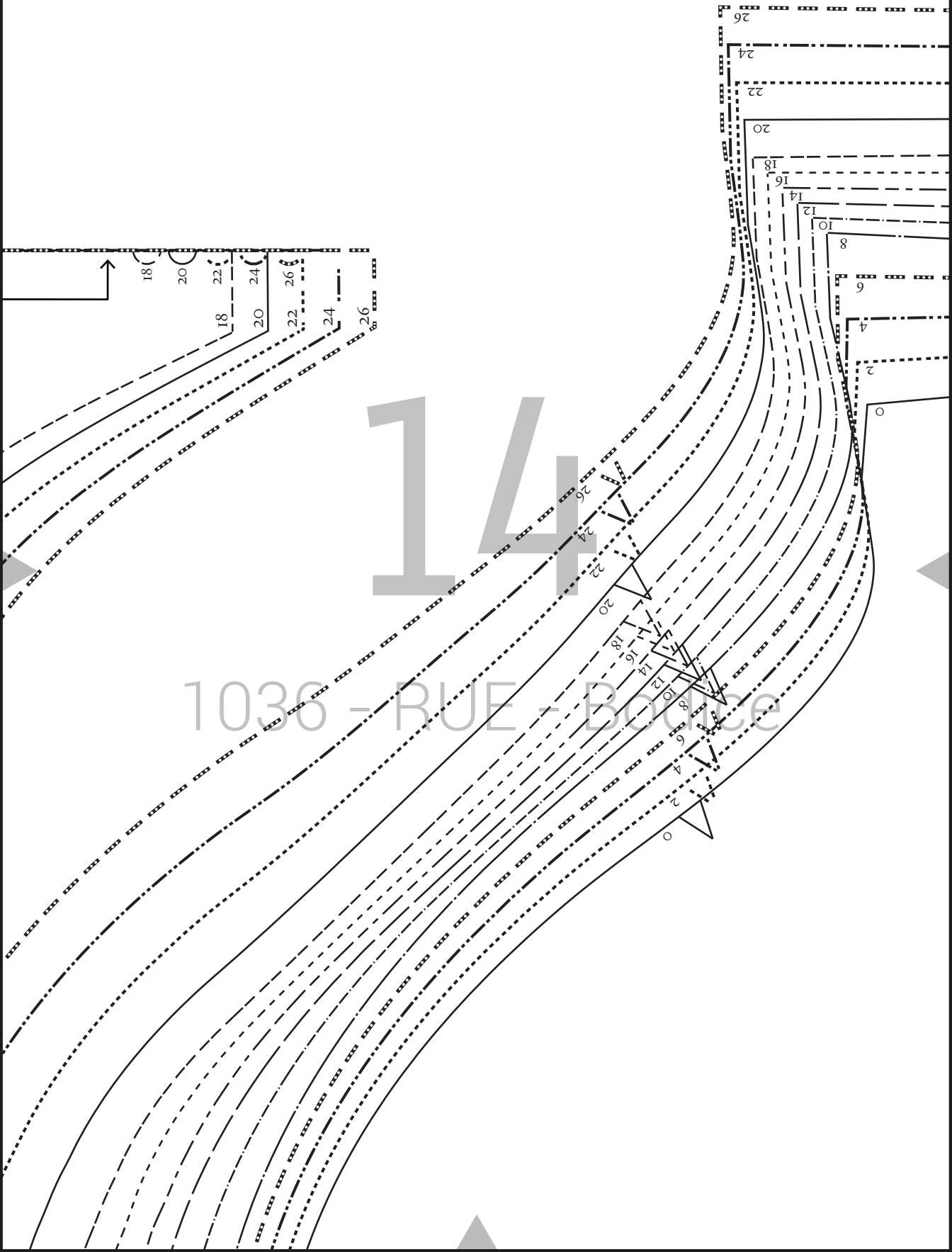
24  
26

26  
18  
20  
22  
24  
26

18  
20  
22

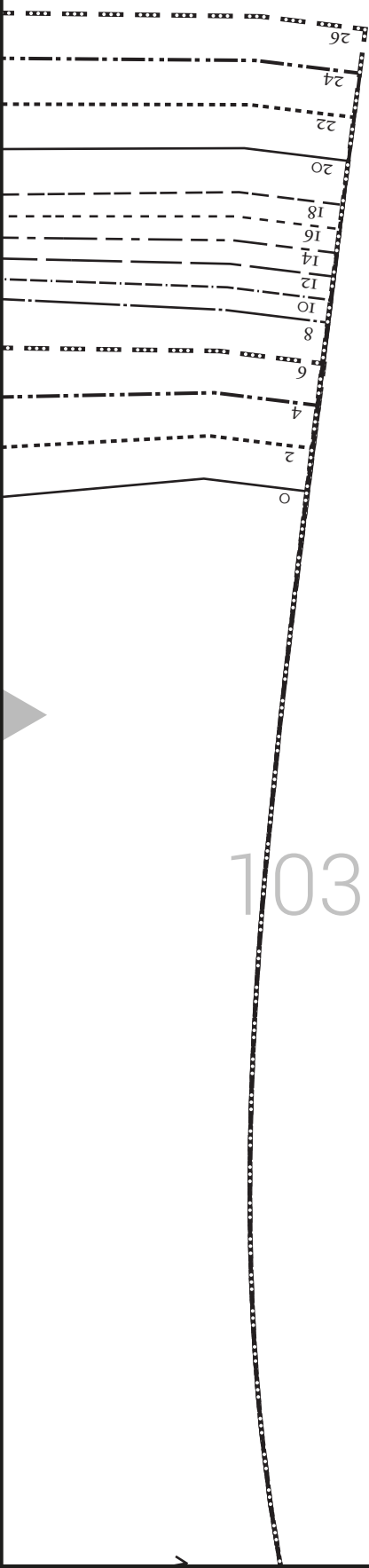
18  
20  
22  
24  
26

18  
20  
22  
24  
26



14

1036 - RUE - BOUCHE

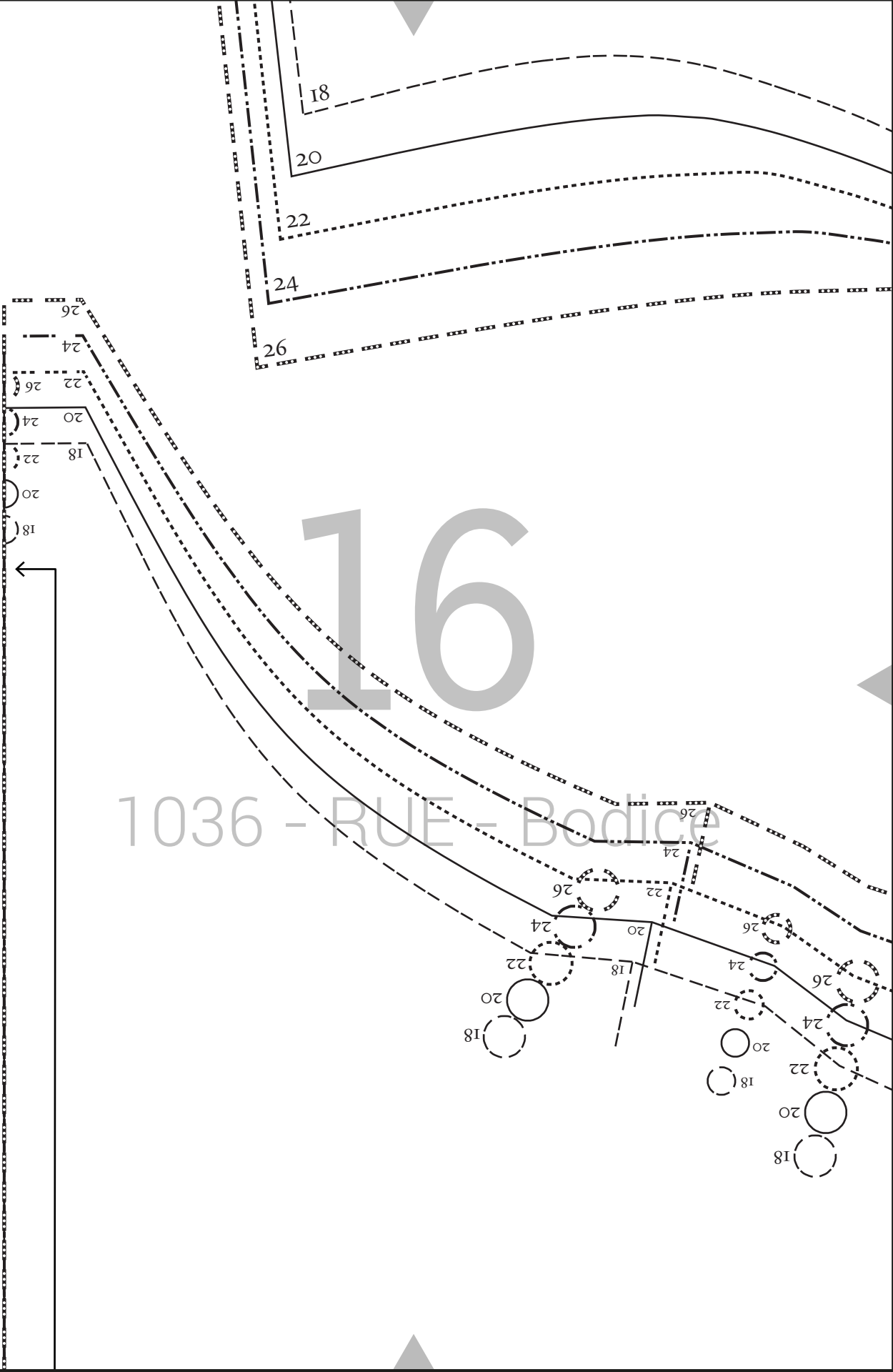


# 15

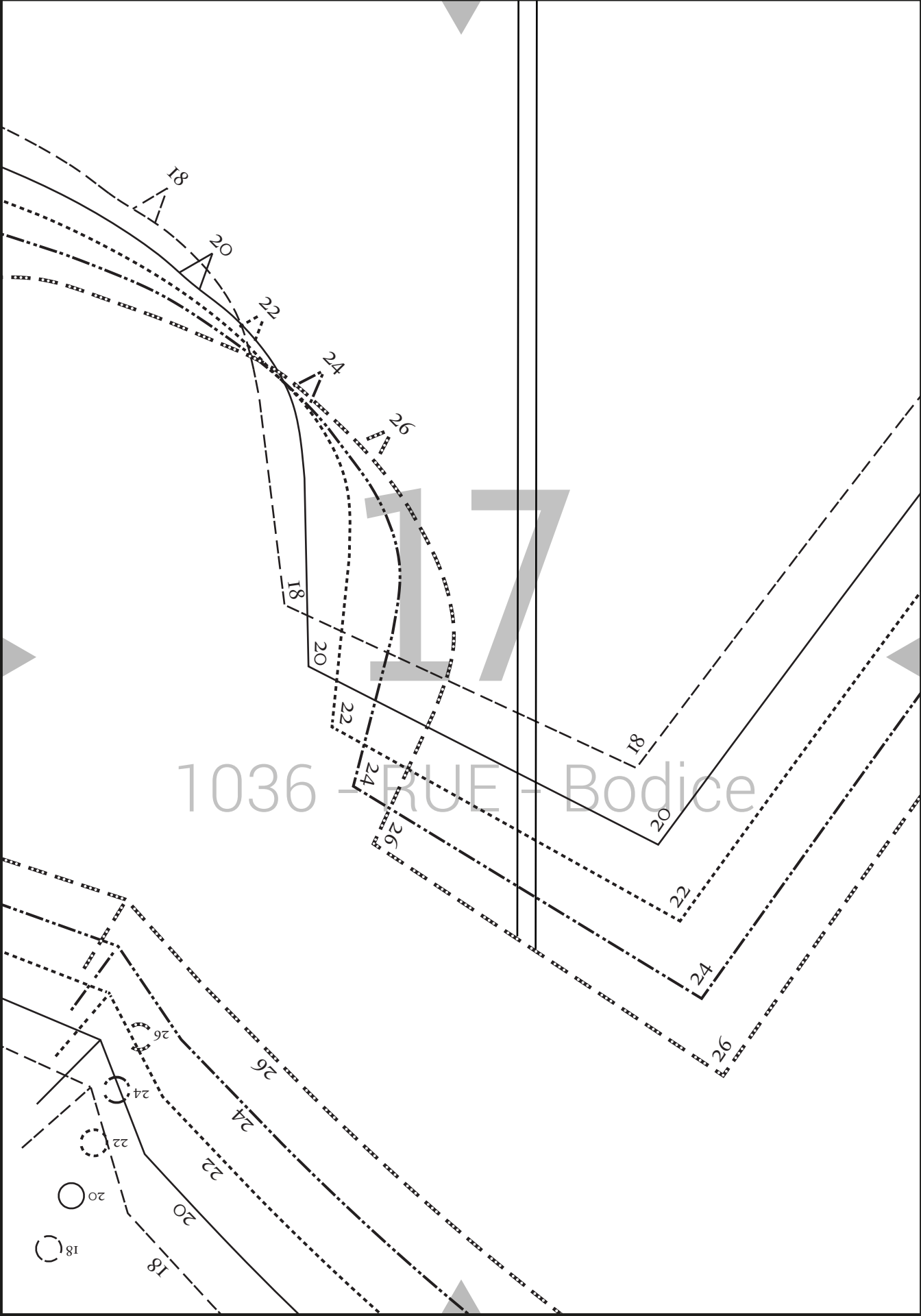
1036 - RUE - Bodice

16

1036 - RUE - Bodice

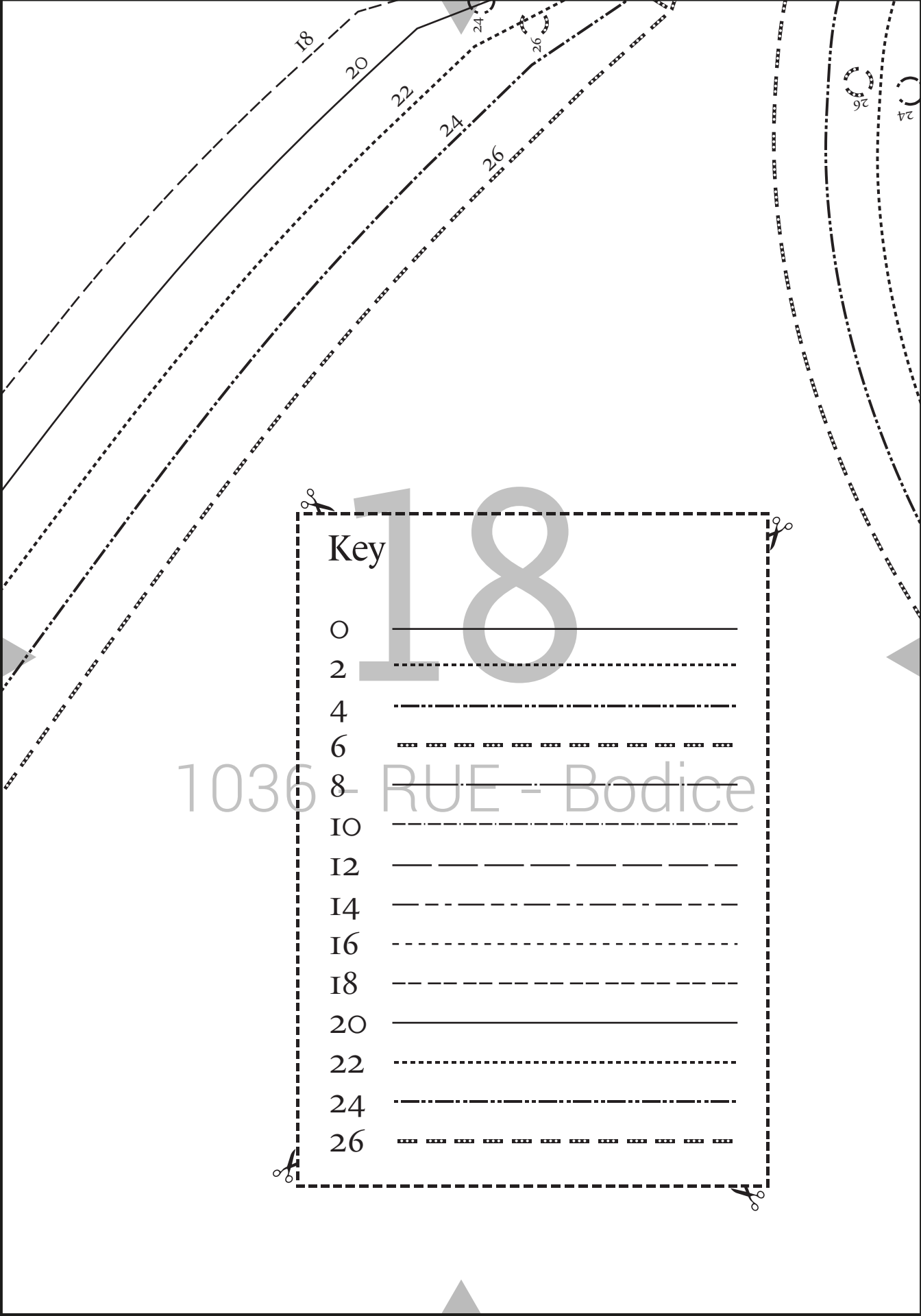






1036 - RUE - Bodice

17



18

Key

0	_____
2	_____
4	_____
6	_____
8	_____
10	_____
12	_____
14	_____
16	_____
18	_____
20	_____
22	_____
24	_____
26	_____

1036 - RUE - Bodice

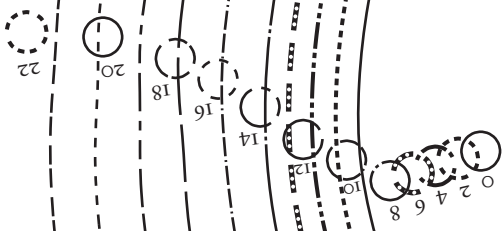
grainline

**Colette**  
PATTERNS

1036 - Rue  
Version 1

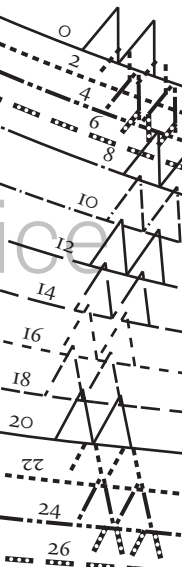
**G**

Sleeve  
Sizes 0 - 26  
Main Fabric: Cut 4



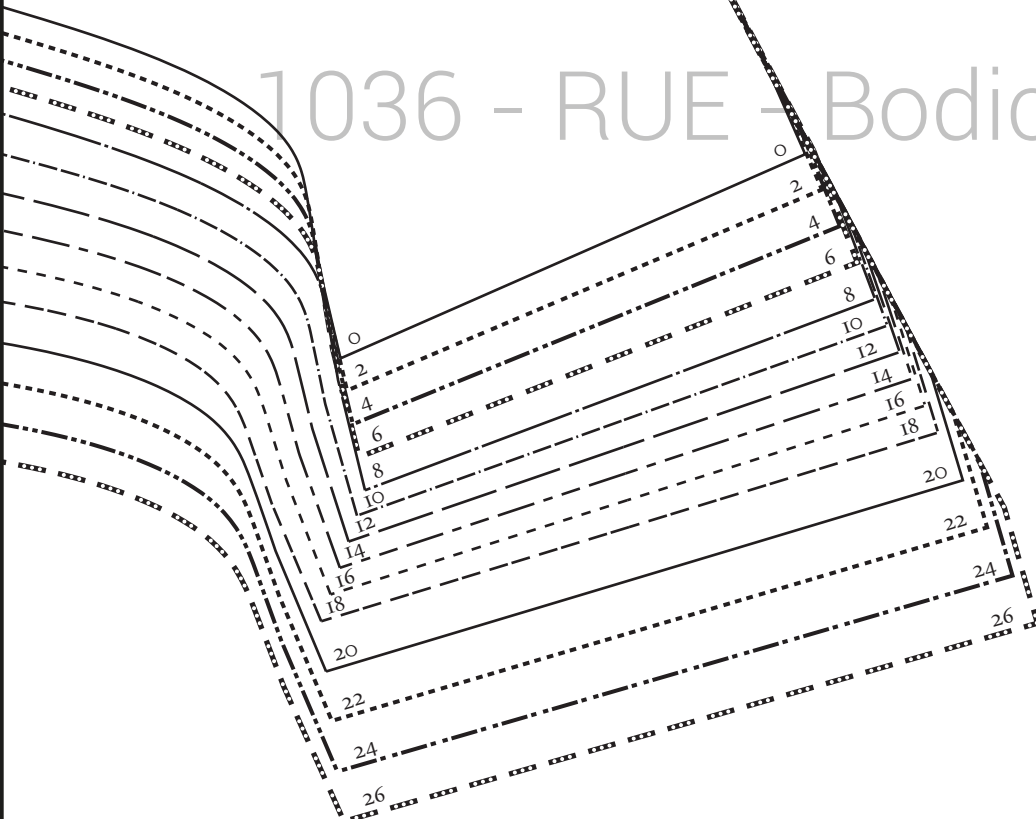
19

1036 - RUE - Bodice



20

1036 - RUE - Bodice



Center Front Bodice  
Sizes 18 - 26  
Main Fabric: Cut 1 on fold

**B**

All Versions  
1036 - Rue

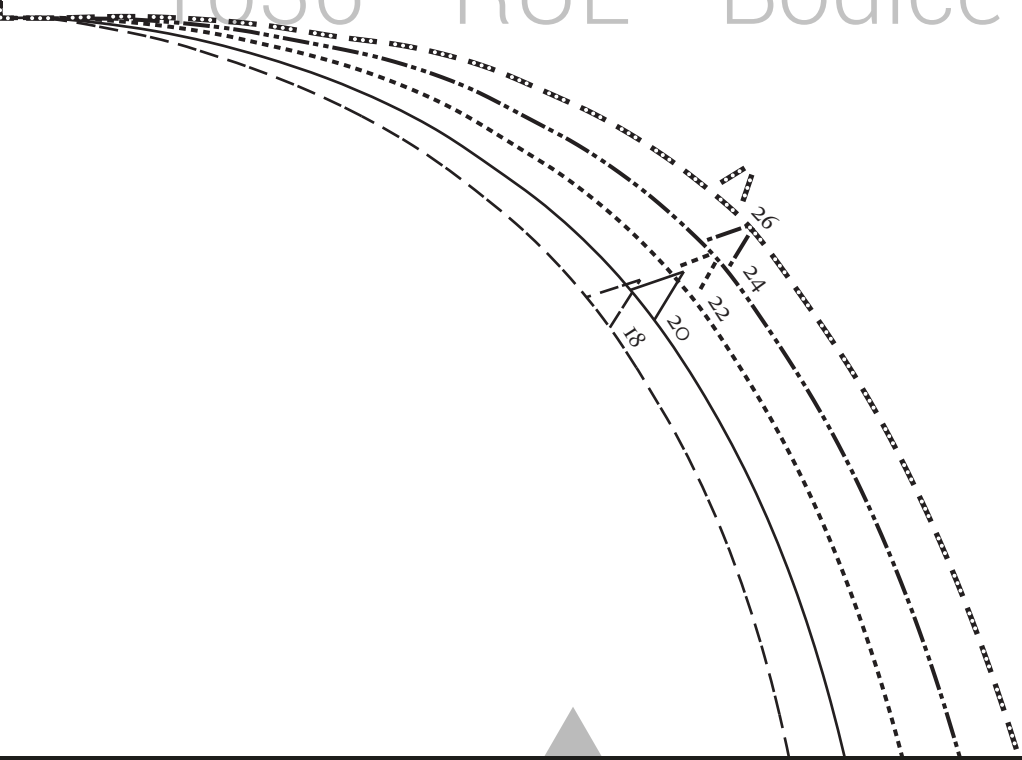
**Goette**  
PATTERNS

21

lengthen or shorten here

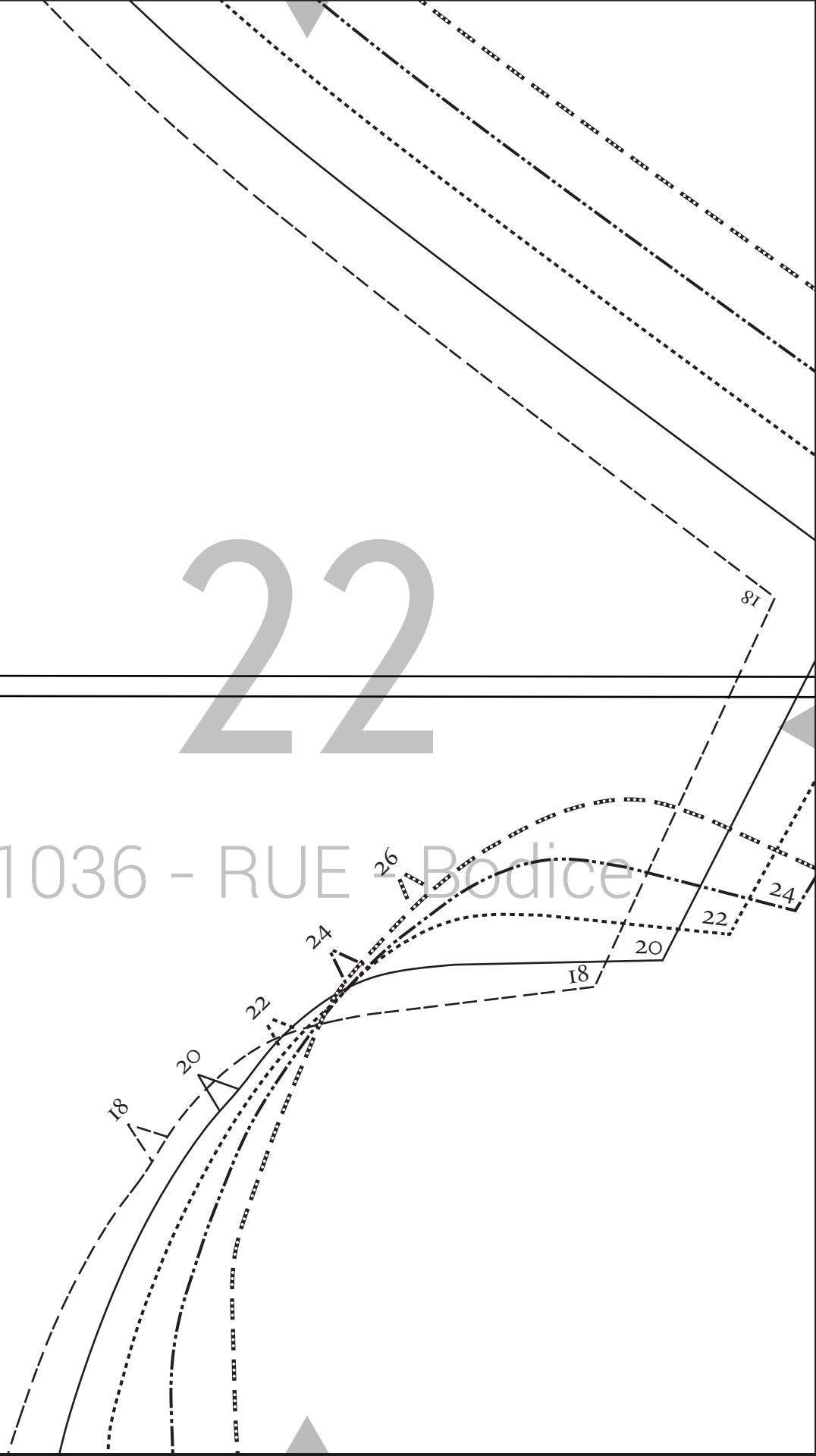
1036 - RUE - Bodice

place on fold of fabric



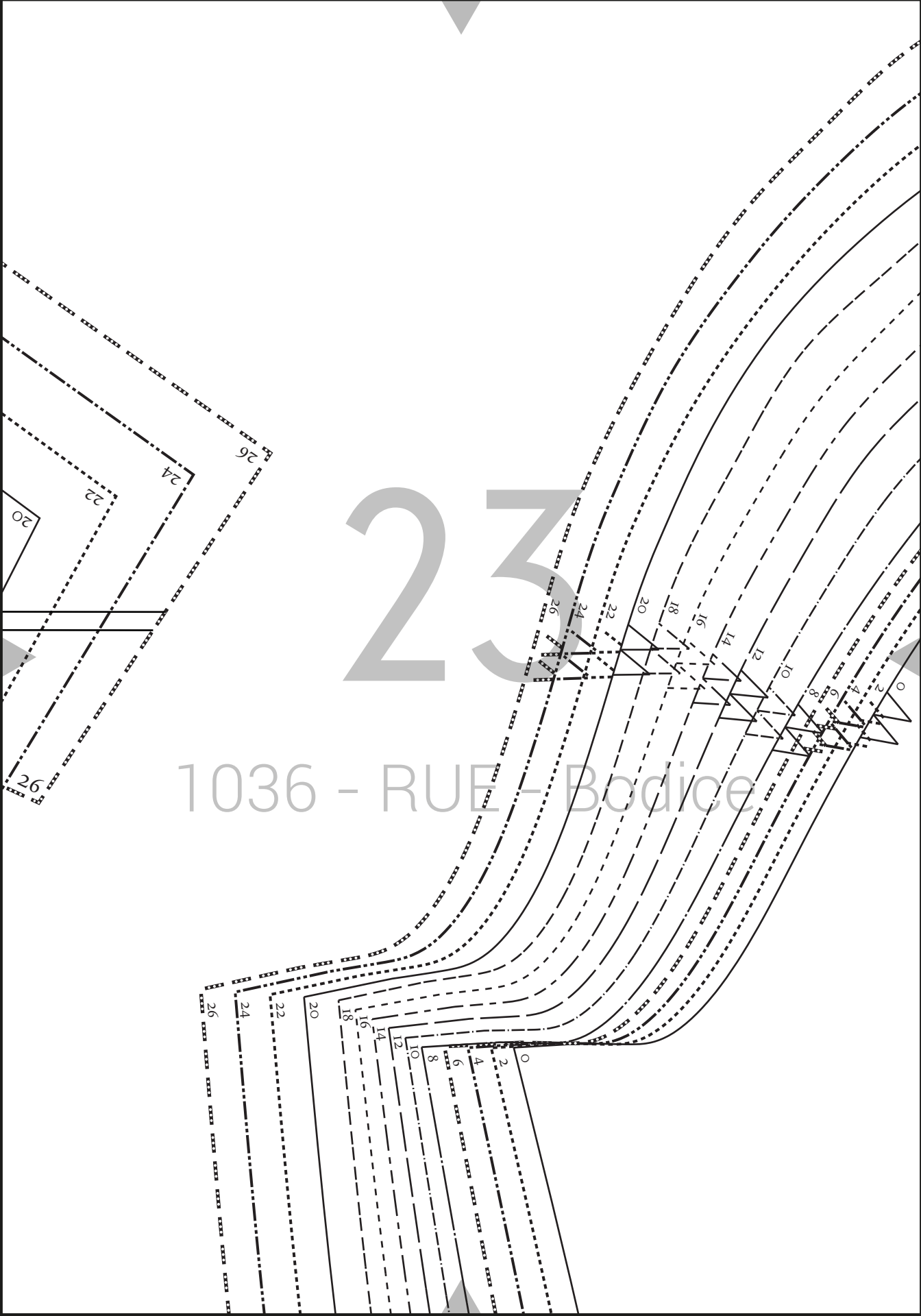
22

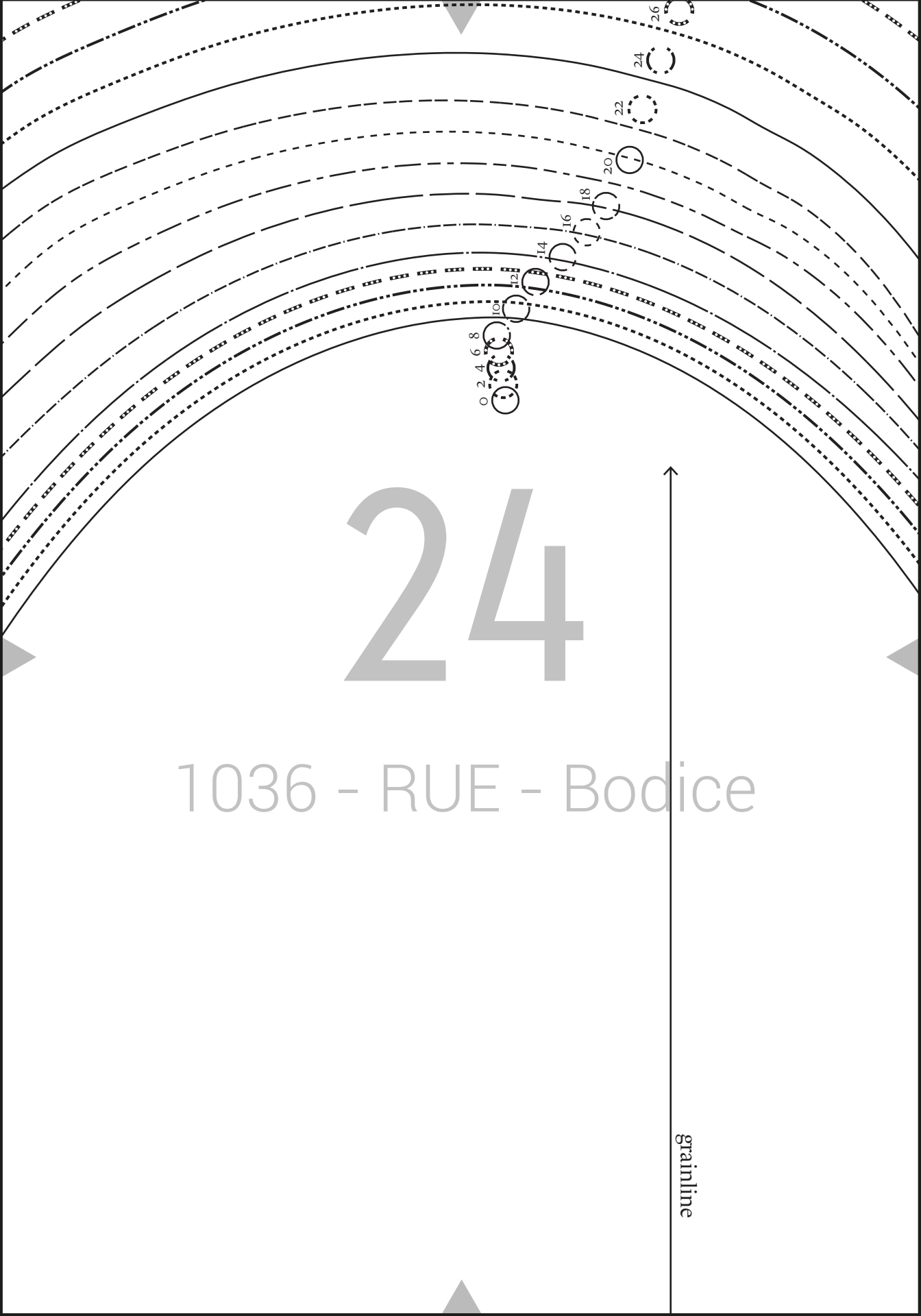
1036 - RUE Bodice



23

1036 - RUE - Bodice





24

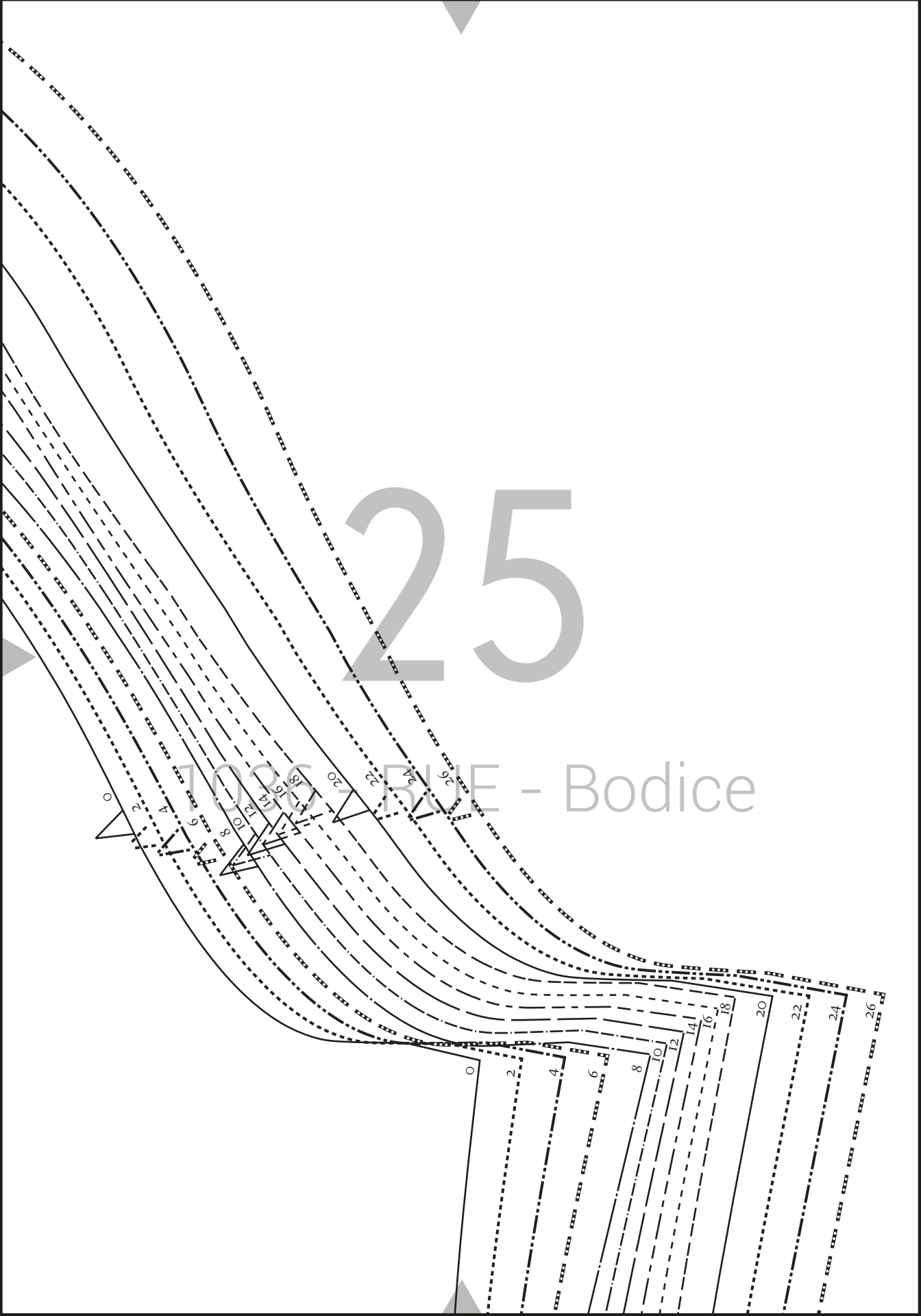
1036 - RUE - Bodice

grainline



25

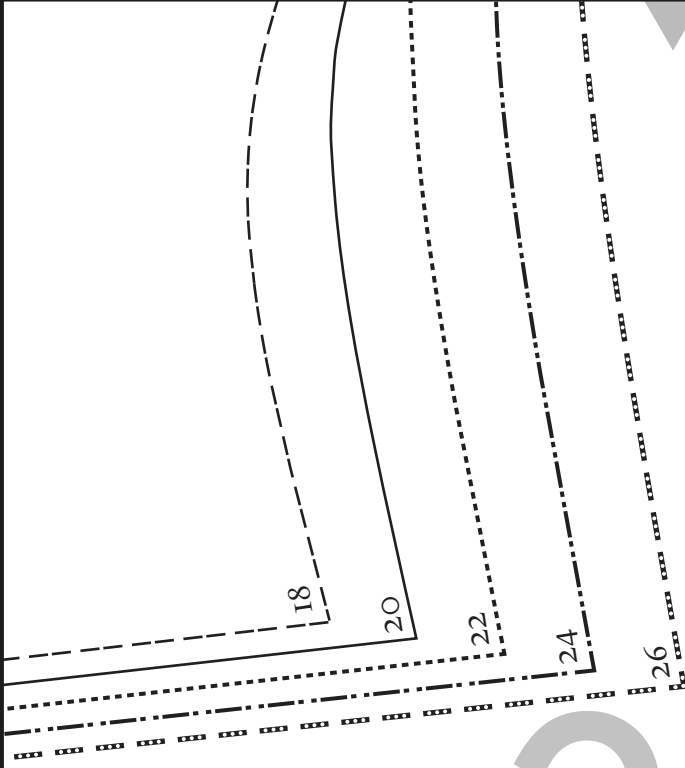
1096 - BLUE - Bodice





26

1036 - RUE - Bodice



27

1036 - RUE - Bodice

28

1036 - RUE - Bodice

0

2

4

6

8

10

12

14

16

18

20

22

24

26



1036 - Rue  
Version 2

**L**

Sleeve  
Sizes 0 - 26  
Main Fabric: Cut 2

29

lengthen or shorten here

1036 - RUE - Bodice

30

1036 - RUE - Bodice

0

2

4

6

8

10

12

14

16

18

20

22

24

26